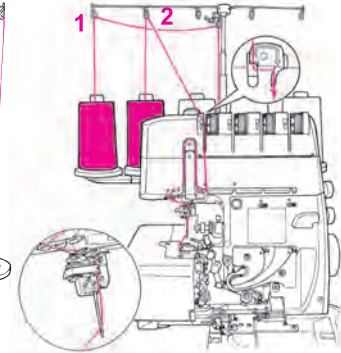
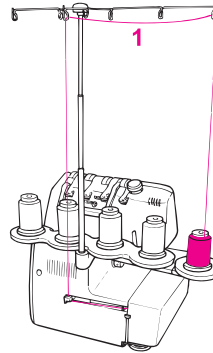
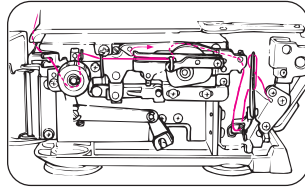
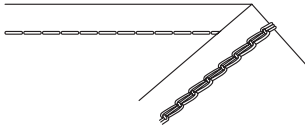


# Threading Chart

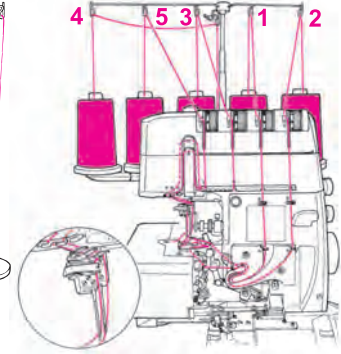
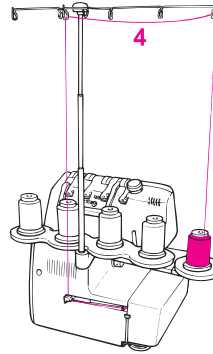
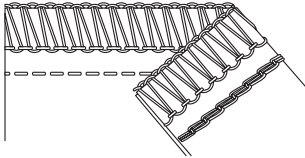
## Threading, Chainstitch

1. Threading chainstitch looper (purple): see page 30 or 45
2. Chain-needle, brown markings (use yellow tension): see page 31



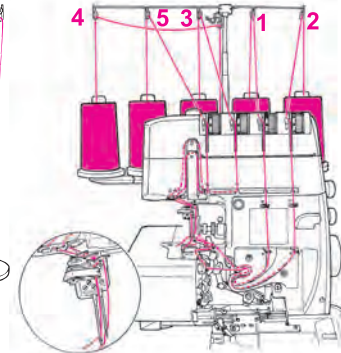
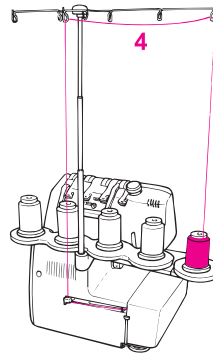
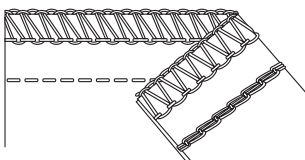
## 3-thread overlock (left needle) + Chain stitch

1. Upper looper thread, blue markings: see page 26
2. Lower looper thread, red markings: see page 27
3. Left-hand needle, use green markings and tension: see page 28
4. Threading chainstitch looper (purple): see page 30 or 45
5. Chain-needle, brown markings (use yellow tension): see page 31



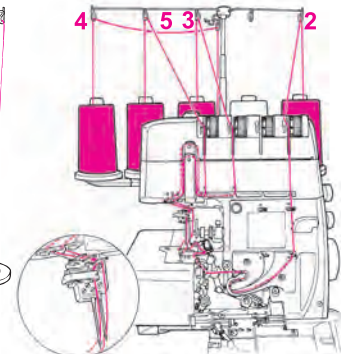
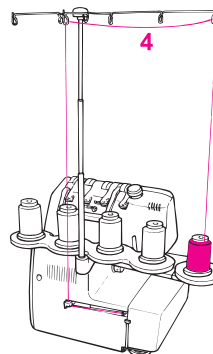
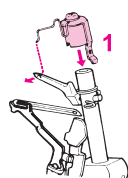
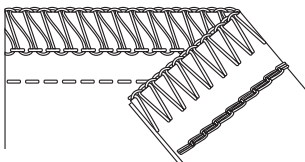
## 3-thread overlock (right needle) + Chain stitch

1. Upper looper thread, blue markings: see page 26
2. Lower looper thread, red markings: see page 27
3. Right-hand needle, green markings: see page 28
4. Threading chainstitch looper (purple): see page 30 or 45
5. Chain-needle, brown markings (use yellow tension): see page 31



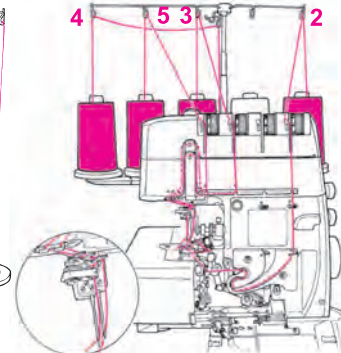
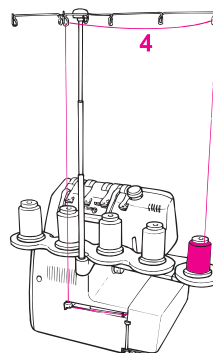
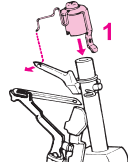
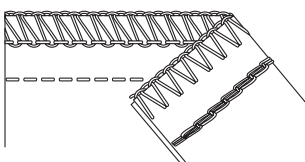
## 2-thread overlock (left needle) + Chain stitch

1. Use the upper looper converter: see page 18
2. Lower looper thread, red markings: see page 27
3. Left-hand needle, use green markings and tension: see page 28
4. Threading chainstitch looper (purple): see page 30 or 45
5. Chain-needle, brown markings (use yellow tension): see page 31



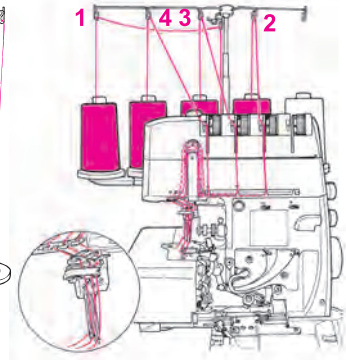
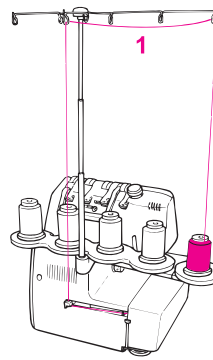
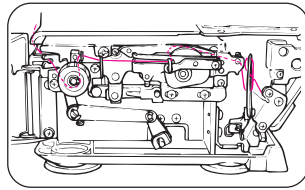
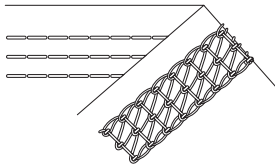
## 2-thread overlock (right needle) + Chain stitch

1. Use the upper looper converter: see page 18
2. Lower looper thread, red markings: see page 27
3. Right-hand needle, green markings: see page 28
4. Threading chainstitch looper (purple): see page 30 or 45
5. Chain-needle, brown markings (use yellow tension): see page 31



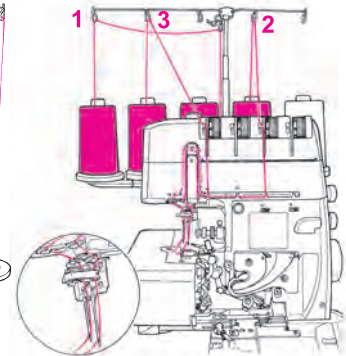
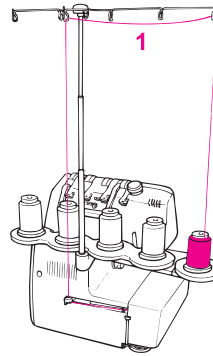
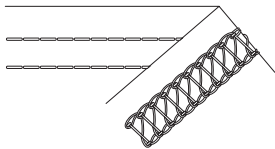
#### 4 thread cover stitch

1. Threading chainstitch looper (purple): see page 39
2. Cover stitch R needle, pink markings: see page 40
3. Cover stitch C needle, pink markings: see page 41
4. Cover stitch L needle, pink markings: see page 42



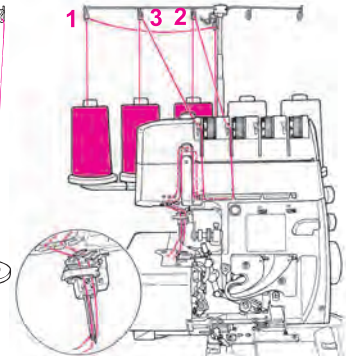
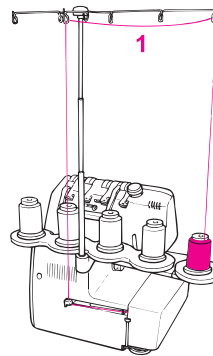
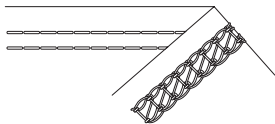
#### Threading 3 thread cover stitch (wide L, R)

1. Threading chainstitch looper (purple): see page 39
2. Cover stitch R needle, pink markings: see page 40
3. Cover stitch L needle, pink markings: see page 42



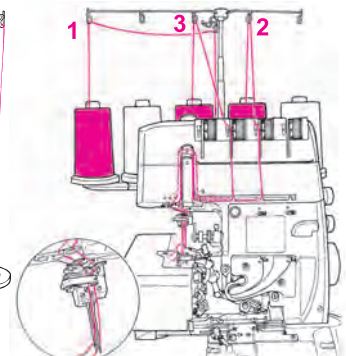
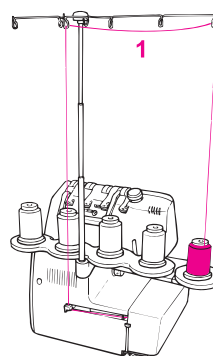
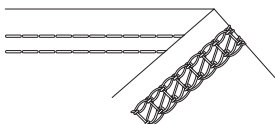
#### Threading 3 thread cover stitch (narrow L, C)

1. Threading chainstitch looper (purple): see page 39
2. Cover stitch C needle, pink markings: see page 41
3. Cover stitch L needle, pink markings: see page 42



#### Threading 3 thread cover stitch (narrow C,R)

1. Threading chainstitch looper (purple): see page 39
2. Cover stitch R needle, pink markings: see page 40
3. Cover stitch C needle, pink markings: see page 41



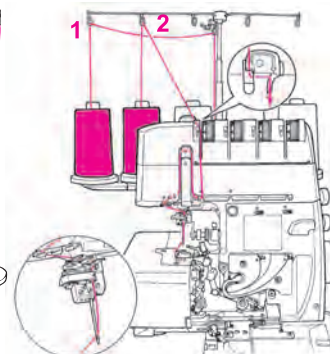
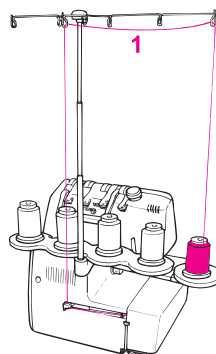
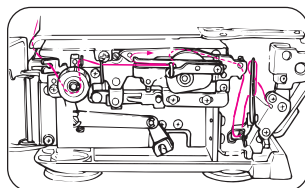
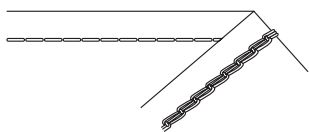


# 穿线图

## 穿线，链缝针迹和包缝

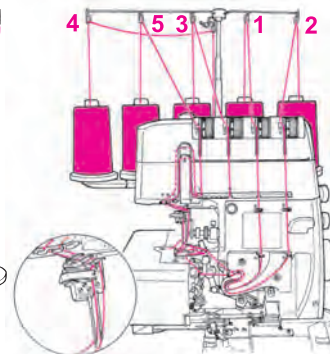
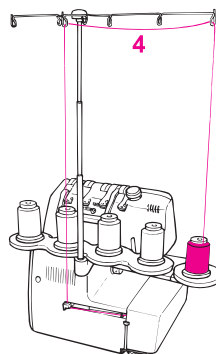
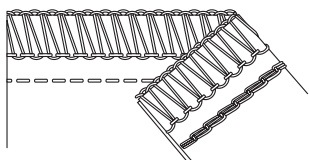
### 穿线，链缝针迹

1. 穿链缝弯针 (紫) : 参看30或45页
2. 链缝机针, 褐色 (使用黄色针线旋钮) : 参看31页



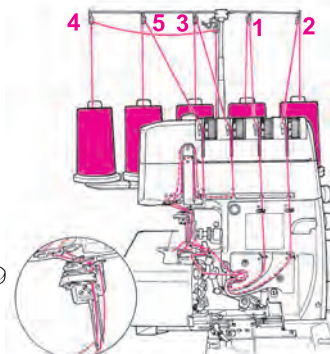
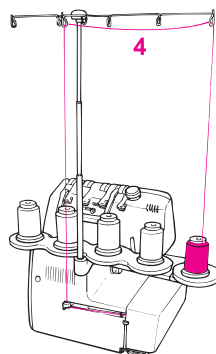
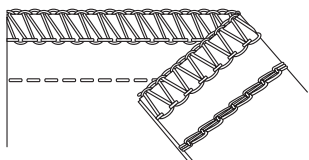
## 3线包缝 (左机针) + 链缝

1. 上弯针线 (蓝) : 参看26页
2. 下弯针线 (红) : 参看27页
3. 左机针, 使用绿色针线旋钮 : 参看28页
4. 穿链缝弯针 (紫) : 参看30或45页
5. 链缝机针, 褐色 (使用黄色针线旋钮) : 参看31页。



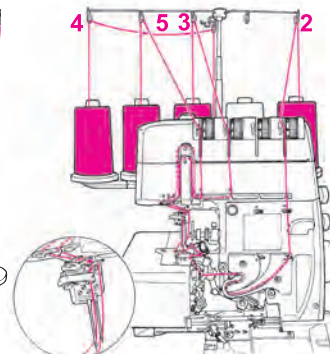
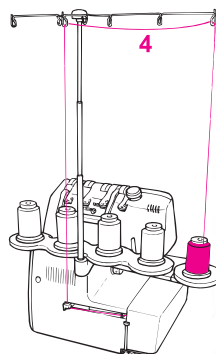
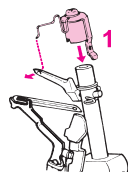
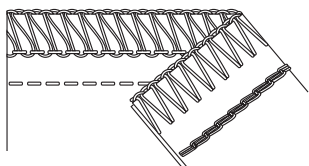
## 3线包缝 (右机针) + 链缝

1. 上弯针线 (蓝) : 参看26页
2. 下弯针线 (红) : 参看27页
3. 右机线 (绿) : 参看28页
4. 穿链缝弯针 (紫) : 参看30或45页
5. 链缝机针, 褐色 (使用黄色针线旋钮) : 参看31页



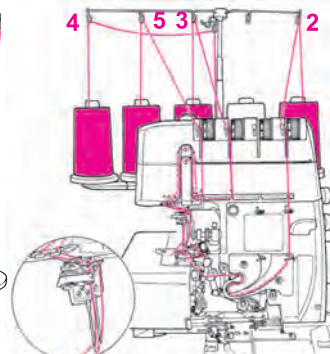
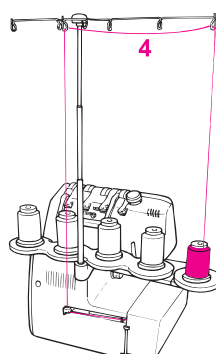
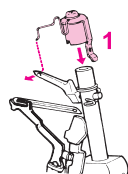
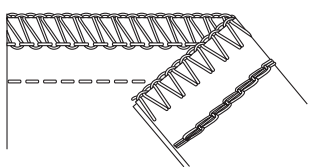
## 2线包缝 (左机针) + 链缝

1. 使用上弯针转换器 : 参看18页
2. 下弯针线 (红) : 参看27页
3. 左机针, 使用绿色针线旋钮 : 参看28页
4. 穿链缝弯针 (紫色) : 参看30或45页
5. 链缝机针, 褐色 (使用黄色针线旋钮) : 参看31页



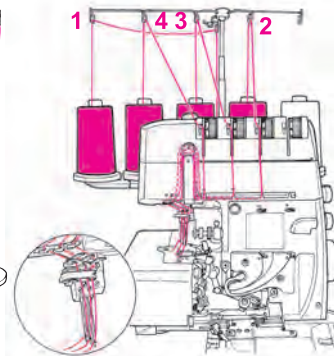
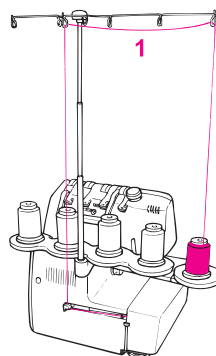
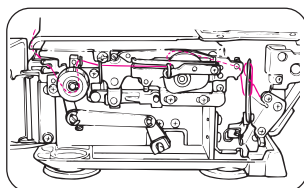
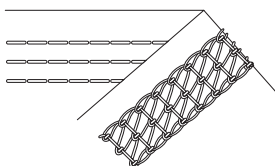
## 2线包缝 (右机针) + 链缝

1. 使用上弯针转换器 : 参看18页
2. 下弯针线 (红) : 参看27页
3. 右机针 (绿) : 参看28页
4. 穿链缝弯针 (紫色) : 参看30或45页
5. 链缝机针, 褐色 (使用黄色针线旋钮) : 参看31页



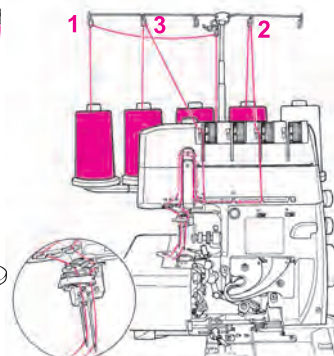
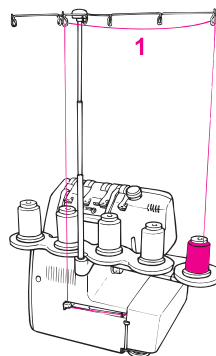
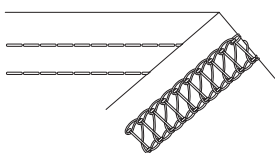
### 4线绷缝

1. 穿线链式弯针 (紫) : 参看39页
2. 绷缝针迹R针 (粉色) : 参看40页
3. 绷缝针迹C针 (粉色) : 参看41页
4. 绷缝针迹L针 (粉色) : 参看42页



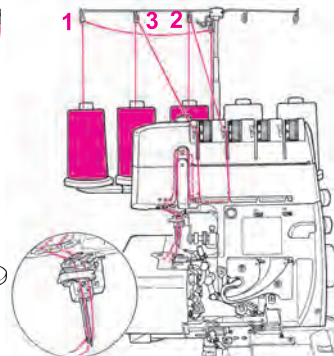
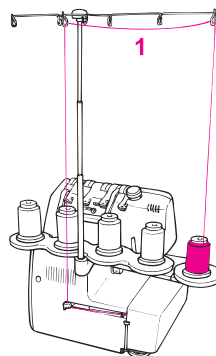
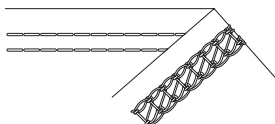
### 穿线3线绷缝针迹 (宽L, R)

1. 穿线链式弯针 (紫) : 参看39页
2. 绷缝针迹R针 (粉色) : 参看40页
3. 绷缝针迹L针 (粉色) : 参看42页



### 穿线3线绷缝针迹 (窄L, C)

1. 穿线链式弯针 (紫) : 参看39页
2. 绷缝针迹C针 (粉色) : 参看41页
3. 绷缝针迹L针 (粉色) : 参看42页



### 穿线3线绷缝针迹 (窄C, R)

1. 穿线链式弯针 (紫) : 参看39页
2. 绷缝针迹R针 (粉色) : 参看40页
3. 绷缝针迹C针 (粉色) : 参看41页

