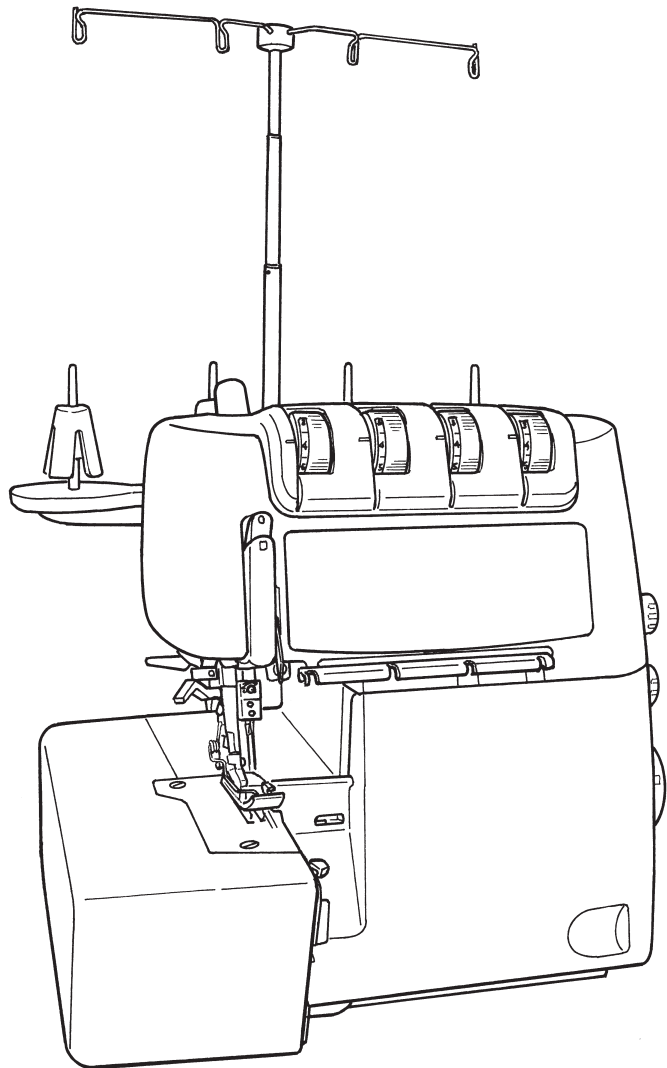


JUKI®

2-Needle, 2/3/4-Thread Overlock Sewing Machine
双针，2/3/4 线包缝机

MO-1000

Instruction Manual
使用说明书



IMPORTANT:

Read all safety regulations carefully and understand them before using your sewing machine.
Retain this instruction manual for future reference.

注意：

请阅读本服务手册的所有安全规定，并在充分理解的基础上进行使用。
请保留本说明书以供日后参考。

“IMPORTANT SAFETY INSTRUCTIONS”

When using an electrical appliance, basic safety precautions should always be followed, including the following: Read all instructions before using this sewing machine.

“DANGER ____ To reduce the risk of electric shock:”


1. The appliance should never be left unattended when plugged in.
2. Always unplug this appliance from the electric outlet immediately after using and before cleaning.

“WARNING ____ To reduce the risk of burns, fire, electric shock, or injury to persons:”

1. Do not use the appliance as a toy. Caution is advised when the appliance is used by children, or near children. This sewing machine can be used by children aged from 8 years and above and persons with reduced physical, sensory or mental capabilities or lack of experience and knowledge if they have been given supervision or instruction concerning use of the sewing machine in a safe way and understand the hazards involved. Children shall not play with the sewing machine. Cleaning and user maintenance shall not be made by children without supervision.
2. Use this appliance only for its intended use as described in this manual. Use only attachments recommended by the manufacturer as contained in this manual.
3. Never operate this appliance if it has a damaged cord or plug, if it is not working properly, if it has been dropped or damaged, or dropped into water. Return the appliance to the nearest authorized dealer or service center for examination, repair, electrical or mechanical adjustment.
4. Never operate the appliance with any air openings blocked. Keep ventilation openings of the sewing machine and foot control free from the accumulation of lint, dust, and loose cloth.
5. Keep fingers away from all moving parts. Special care is required around the sewing machine needle.
6. Always use the proper stitch plate. The wrong plate can cause the needle to break.
7. Do not use bent needles.
8. Do not pull or push fabric while stitching. It may deflect the needle causing it to break.
9. Do not carry out sewing with a marking pin stuck in the material since doing so can cause knife/needle breakage. In addition, do not attempt to cut anything other than fabric and thread with the upper/lower knives.
10. Switch the sewing machine off “O” when making any adjustments in the needle area, such as threading needle, changing needle, threading looper, or changing presser foot and the like.
11. Always unplug the machine from the electrical outlet when removing covers, when covers are opened to thread the loopers, when lubricating or when making any other user servicing adjustments mentioned in the instruction manual.
12. Never drop or insert any object into any opening.
13. Do not use outdoors.
14. Do not operate where aerosol (spray) products are being used or where oxygen is being administered.
15. To disconnect, turn all controls to the off “O” position, then remove plug from outlet.
16. Do not unplug by pulling on cord. To unplug, grasp the plug, not the cord.
17. Basically, the machine should be disconnected from the electricity supply when not in use.
18. If the power cord of this appliance is damaged, it must be replaced with a special cord by your nearest authorized dealer or service center.
19. (Except USA/Canada) This machine is provided with double insulation.
Use only identical replacement parts. See instructions for servicing Double-Insulated machine.

“SERVICING DOUBLE-INSULATED PRODUCTS (Except USA / Canada)”

In a double-insulated product, two systems of insulation are provided instead of grounding. No grounding means is provided on a double-insulated product nor should a means for grounding be added to the product. Servicing a double-insulated product requires extreme care and knowledge of the system and should only be done by qualified service personnel. Replacement parts for a double-insulated product must be identical to those parts in the product. A double-insulated product is marked with the words DOUBLE INSULATION or DOUBLE INSULATED.

The symbol  may also be marked on the product.

“SAVE THESE INSTRUCTIONS”

“This overlock sewing machine is intended for household use only.”

Congratulations on your purchase of a JUKI sewing machine.



Please be sure to read safety precautions in “To use the sewing machine safely” in the Instruction Manual before use to fully understand the functions and operating procedures of the sewing machine so as to use the sewing machine for a long time.

After you have read the Instruction Manual, please be sure to keep it together with the warranty so that you can read it whenever necessary.











To use the sewing machine safely

Marks and pictographs included in the Instruction Manual and shown on the sewing machine are used so as to ensure safe operation of the sewing machine and to prevent possible risk of injury to the user and other people.

Warning marks are used for different purposes as described below.

 WARNING	Indicates that there is a possible risk of death or serious injury if this mark is ignored and the sewing machine is used in a wrong manner.
 CAUTION	Indicates the operation, etc. which can cause a possible risk of personal injury and/or physical damage if this mark is ignored and the sewing machine is used in a wrong manner.

Pictographs mean the following:

	Danger warning which is not specified		There is a risk of electrical shock		There is a risk of fire		There is a risk of injury to hands, etc.
	Prohibited matter which is not specified		Disassembly/alteration is prohibited		Do not place fingers under the needle		Do not pour oil, etc.
	Generally required behavior		Disconnect the power plug				

WARNING

For the combination of the material and the thread and needle, in particular, refer to the explanation table in “Replacement of the needle”.

If the needle or thread does not match the material used such as in the case that an extra heavy-weight material (e.g., denim) is sewn with a thin needle (#11 or higher), the needle can break resulting in an unexpected personal injury.

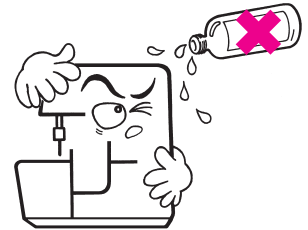
Other precautions

- Do not put the sewing machine under the direct sunlight or in a humid place.



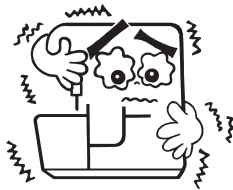
- Do not wipe the sewing machine with solvent such as thinner.

When the sewing machine is soiled, put a small quantity of neutral detergent on a piece of soft cloth and carefully wipe off the sewing machine with it.



Be aware that the following state can take place since the sewing machine incorporates semi-conductor electronic parts and precise electronic circuits.

- Be sure to use the sewing machine in the temperature range from 5°C to 40°C.
If the temperature is excessively low, the machine can fail to operate normally.



* The operating temperature of the sewing machine is between 5°C and 40°C. Do not use the sewing machine under the direct sunlight, near the burning things such as a stove and candle, or in a humid place. By so doing, the temperature in the interior portion of the sewing machine can rise or the coating of the power cord can melt, causing fire or electrical shock.



感谢您购买重机缝纫机。

请务必阅读安全注意事项中的“安全使用缝纫机”的指导手册，使用前要充分了解功能和缝纫机操作程序以便能长期使用缝纫机。

当你阅读本手册，请务必在保修期内保管好，以便在必要的时候可以找到。

安全使用缝纫机



标志和象形文字包含在说明书并在缝纫机上显示，是用以保证缝纫机安全运行，防止对使用者及他人造成伤害。警告标志，用于不同的目的如下。

 警告	表明有死亡或严重伤害，这个标记是不容忽视的，如果缝纫机操作错误，会存在这种风险。
 注意安全	如果这个标记被忽略，机器操作错误的话，指示操作等可引起危险的人身或物理伤害

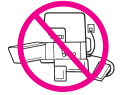
象形文字的意思如下：

	危险警告		有触电的危险		有发生火灾的危险		有手受伤的危险等。
	禁止的事项		禁止拆卸 / 变更		不要将手指放到针下		不可倒油，等。
	一般要求的行 为		断开电源插头				

为正确和安全地使用缝纫机，请务必遵循以下安全指示。

 警告	如果忽略下述指令的话，有可能会造成触电，火灾或机器故障。
<ol style="list-style-type: none"> 1. 请不要在电压在 120V 时使用缝纫机。 2. 在下列情况下，请关闭电源开关，从墙上的电源插座上拔出电源插头。 <ul style="list-style-type: none"> ● 在离开缝纫机的情况下 ● 缝纫机使用结束后 ● 缝纫机在运转的情况下断电 ● 在维修缝纫机时 ● 在移动缝纫机时 ● 缝纫机无法正常运行，由于连接松动或断线。 ● 打雷时 	
 安全注意事项	如果忽视下述指令，有可能会造成触电、火灾、人身伤害或是机械故障。
<ol style="list-style-type: none"> 1. 不要把任何东西放在控制器上。 2. 不要拆卸或是变更缝纫机。 	

3. 在操作缝纫机时，请务必关闭盖板并锁紧。



4. 在缝纫机运转时注意机针，并让双手远离所有的运动部件如机针、手轮和挑线杆。



5. 不要用弯曲的机针，否则会造成断针。



6. 在缝制中请不要强行拉拽面料，否则的话会造成人身伤害或引起断针。



7. 在缝制时请勿将珠针等留在面料里，以免造成机针或是切刀损坏。此外，也请不要用上下切刀去剪切任何织物或是线以外的任何物品。



8. 当孩童靠近或使用机器时，请务必加以关注。



9. 在进行下述操作时，请务必关闭电源开关，并将插头从插座上拔下。

- 更换机针、针板、压脚或附件

- 设定针线或底线

- 与维修手册中描述的一样

(如果在断电时在更换模式的过程中更换针或者是线的话，那么之前设定的将全部清空)



10. 不要把缝纫机放在一个不稳定的地方如摇摇欲坠的架子或斜面上。缝纫机可能会因为失去平衡而掉落造成人身伤害。不使用或存放缝纫机在某个地方，机器功能有可能会下降。”

11. 当本机器或控制器发生故障时，请立即停止使用并与您的经销商联系进行检查、修理及维护。

- 本机器或是控制器不能正常工作。

- 本机器或是控制器被摔过或已损坏。

- 本机器或是控制器已进过水。

- 本机器或是控制器的电源线或插头已损坏。

- 本机器或是控制器在运转时，产生异味或是不正常的噪音。

- 有异物进入到本机器或是控制器内。

12. 不要用湿手去插拔电源。否则易引起触电。

13. 避免通过转接线连接多个电源插座。否则易导致火灾或是触电。

14. 要将电源插座完全插入插座内。否则，会引起发热导致火灾或是触电。避免使用损坏的插头或是松动的插座。

15. 在拔插头或是控制器时，请务必先关闭电源，然后，在完整拔出电源插头的插头部分。不要拉住电线拔插头或控制器，拔插头应抓住插头，而不是电线，否则会造成损坏，导致火灾或是触电。

16. 请不要损坏，涂改，用力拉，弯曲，扭曲电源线。放置重物或加热的话会损坏电源线，造成火灾或触电。

17. 缝纫机在安装使用时，避免在房间中使用喷雾产品。喷气起火会造成烧伤。

18. 当空气口被堵塞时，绝对不可以使用机器。应保持机器的通风，并且保持脚踏控速器的清洁，防止棉绒、灰尘及零布的堆积。

19. 不要把异物放入通风口或是缝纫机主体的内部。不要将螺丝刀插入进去，异物或是螺丝刀会触碰到高压部分从而造成触电。



20. 手指应远离运动部件，机针周围应特别注意。
21. 请务必使用本说明书中描述的原装配件。否则有可能会导导致人身伤害或是机器故障。
22. 请确保塑料袋或是缝纫机主体包装远离孩童或是丢弃它。以防止出现意外事故。
23. 在搬运机器时，请务必握住机器上拎手。如果手插入到机器其他部位的话，有可能会造成人身伤害。
24. 这款机器可以给 8 岁以上的孩子以及有智力上和行为能力上限制的人以及缺乏相关知识和经验的技能者，只要他们接受过指导或看过使用说明指导安全的使用机器并指导其有危险即可。孩童不得将本机器当玩具使用。清洁或是维修不得用无监管的孩童。

警告

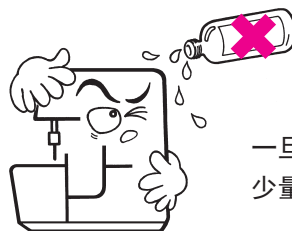
特别是面料与线与机针的组合，请务必遵循【机针的更换】说明表在选择最匹配的组合后再进行使用。一旦不匹配的话，特别是在缝制厚料（粗斜纹棉布）时采用了细针（#11 以下）的话很可能会造成机针断裂或者是意外人身伤害。

其他注意事项

- 不要把缝纫机放在阳光直射或潮湿的地方。



- 不要用如稀释剂溶剂擦拭缝纫机。

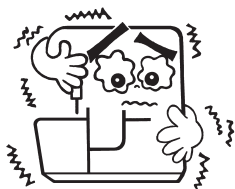


一旦缝纫机脏了，可用软布蘸少量中性清洁剂仔细擦拭即可。

注意，因本机内置有半导体电子元件或是精密的电子电路。因此一旦有以下情况发生，请随时关注。

- 请在 5°C~40°C 的温度范围内使用本机。

如果温度过低，机器将不能正常运转。

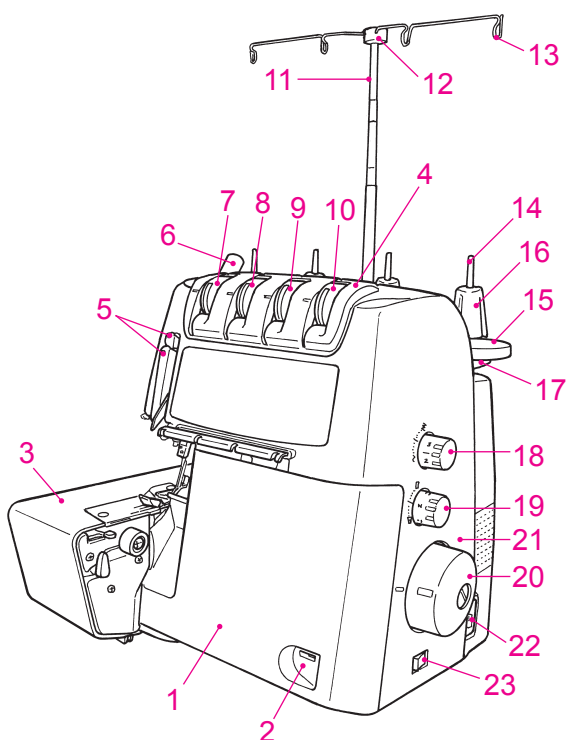


※ 缝纫机的工作温度是 5°C~40°C。不要在阳光直射下使用缝纫机，也不要靠近燃烧的东西如炉或蜡烛，或在潮湿的地方。如果这样做的话，缝纫机内部的温度会上升或是电源线的涂层会融化，从而导致火灾或触电的发生。

Contents / 目录

Safety regulations	1-3	Setting/ Practical sewing	
Contents	7	• Preparation/Tips	29
Details of the machine	8-10	Stitch chart	30
• Accessories	10	Threading 4/3 Thread OL	
• Thread stand	10	• Lower looper	32
Preparing the machine / Using the machine	11,12	• Upper looper	33
• Attaching the foot control	11	• Right needle	34
• Waste collector	11	• Left needle	35
• Thread, cones, spools	12	• How to use the looper threader	36
Using the machine		Trial sewing	37
• Main Power/ light switch	13	Thread tension	38, 39
• Looper cover	13	Practical Sewing-Overlock	
• Handwheel	14	• Sewing in tape	40
• Changing the presser foot	15	• Carrying out hemming and narrow overlocking	41
• Upper knife is deactivated	16	• Wrapped overlocking with three threads	42
• How to use the presser foot	17	• 2-/3-thread changeover attachment	42
• Inserting needles / Needles and Threads	18-21	• Cover stitch with three threads (flatlock)	43
Adjustments and settings		• Thread breakage during sewing	44
• Stitch length	22	• Unpicking seams	44
• Cutting width	23	Securing thread ends at the beginning and end of sewing ..	45-47
• Differential feed	24, 25	Maintenance	
• Gathering	26	• Cleaning and lubricating	48, 49
• Roll hemming	27	• Replacing the knife	49
• Presser foot pressure	28	Trouble shooting guide	50
		Technical data	52
		Optional accessories	53
<hr/>			
安全注意事项	4-6	安装 / 实际缝制	
目录	7	• 运转前的准备 / 建议	29
各部位的名称	8-10	各个缝迹调节刻度的刻度标准	31
• 附件	10	4/3 线穿线	
• 线架	10	• 下弯针	32
运转前准备 / 使用机器	11, 12	• 上弯针	33
• 安装脚踏控制器	11	• 右针	34
• 集尘装置	11	• 左针	35
• 缝线, 线圈, 线团	12	• 如何使用弯针穿线工具	36
使用机器		试缝	37
• 电源 / 照明开关	13	线张力	38, 39
• 弯针罩板	13	实际缝制 - 包缝	
• 手轮	14	• 滚条导轨的使用方法	40
• 更换压脚	15	• 进行卷边缝和窄边包缝	41
• 上刀的解除	16	• 三线包边缝	42
• 如何使用压脚	17	• 2 /3 线转换器	42
• 安装机针 / 机针和线	18-21	• 3 线装饰缝(开口缝)	43
调整与设置		• 在缝制途中断线时	44
• 缝迹长度	22	• 拆除线迹的方法	44
• 剪切宽度	23	缝制开始与结束时的线头加固	45-47
• 差动送布	24, 25	维修保养	
• 打裥	26	• 清洁和润滑	48, 49
• 卷边缝	27	• 更换切刀	49
• 压脚压力	28	故障及处理方法	51
		技术规格	52
		可选配件	53

Details of the machine / 各部位的名称



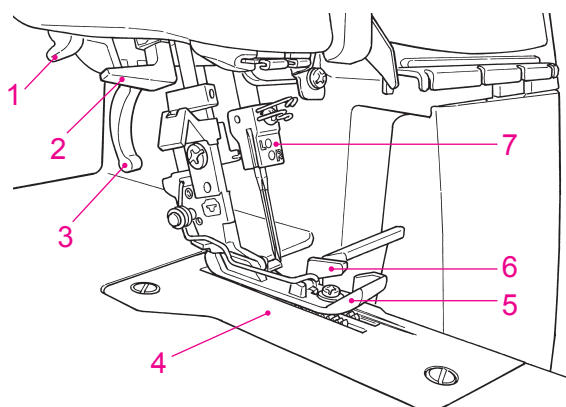
Details of the machine

1. Looper cover with built in knife guard
2. Looper cover opening indent
3. Cloth plate
4. Top cover
5. Thread take-up cover
6. Presser foot pressure regulating knob
7. Left needle thread tension dial
8. Right needle thread tension dial
9. Upper looper thread tension dial
10. Lower looper thread tension dial
11. Retractable support rod
12. Thread guide support
13. Open thread guide
14. Spool holder pin
15. Foam pad
16. Anti - vibration cone
17. Thread stand
18. Stitch length adjustment dial
19. Differential feed adjustment dial
20. Handwheel
21. Front cover
22. Machine socket
23. Main Power/Light switch

各部位的名称

1. 弯针罩带定刀保护罩
2. 弯针罩开闭手柄
3. 缝台
4. 顶罩
5. 挑线杆护罩
6. 压脚压力调节旋钮
7. 左针夹线旋钮
8. 右针夹线旋钮
9. 上弯针夹线旋钮
10. 下弯针夹线旋钮
11. 可伸缩线架
12. 线架帽
13. 挂线导向
14. 防摆动用线架插座
15. 海绵垫
16. 防摆动用线架
17. 线架座
18. 针距调节刻度盘
19. 差动送布调节旋钮
20. 手轮
21. 前盖
22. 电源插座
23. 电源 / 照明开关

Details of the machine / 各部位的名称



Details of the machine

1. Thread cutter
2. Automatic needle threader
3. Presser foot lifter
4. Stitch plate
5. Presser foot
6. Upper knife
7. Needle clamp

各部位的名称

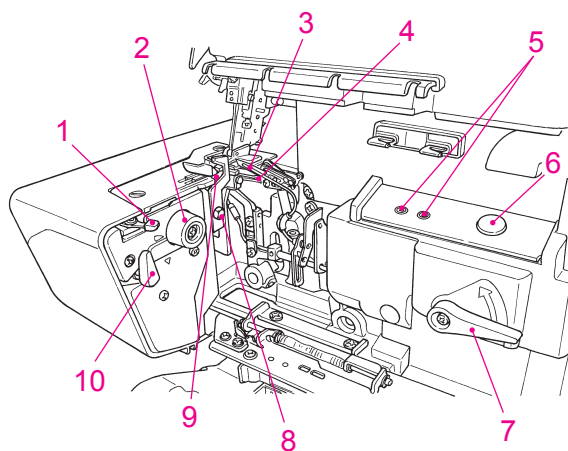
1. 切线刀
2. 自动穿针器
3. 抬压脚扳手
4. 针板
5. 压脚
6. 上刀
7. 针夹头

	Caution: Be sure to turn off the power switch before opening the looper cover.
	注意： 在打开弯针罩前请务必关闭电源开关。

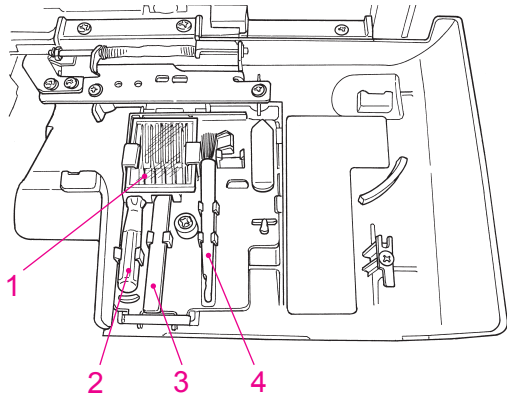
View with looper cover open 打开弯针罩后

1. Selection lever for overlocking or roll hemming
2. Cutting width adjusting dial
3. Upper looper
4. Lower looper
5. Threading hole
6. Air-control pushbutton
7. Threading changeover lever
8. Upper knife fixing screw
9. Lower knife
10. Upper knife changeover knob

1. 选择包缝或卷边缝扳手
2. 剪切宽度刻度调节盘
3. 上弯针
4. 下弯针
5. 穿线孔
6. 压力调节旋钮
7. 穿线转换扳手
8. 上刀固定螺丝
9. 下刀
10. 上刀转换扳手



Details of the machine / 各部位的名称

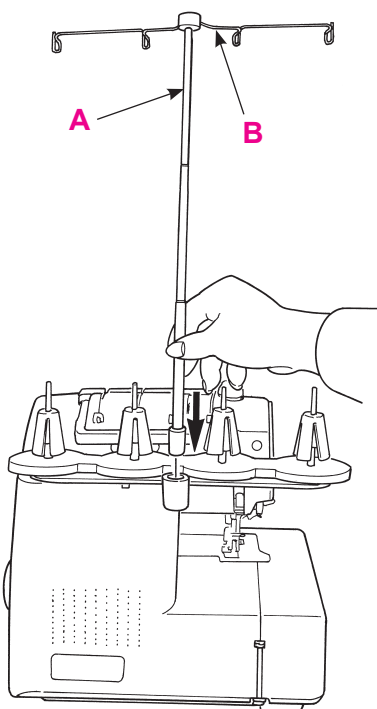
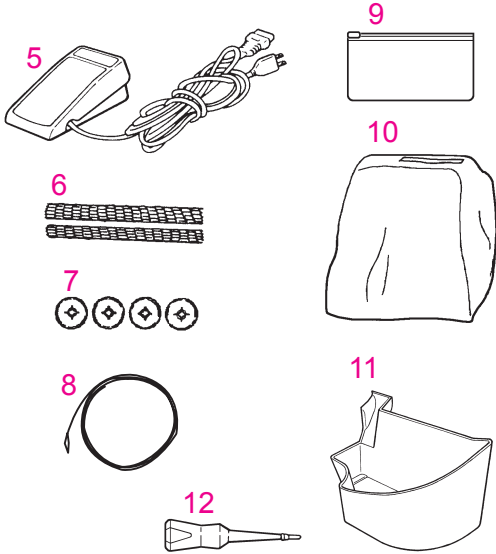


Accessories

1. Needle set 130/705H (SCHMETZ)
2. Screwdriver
3. Tweezers
4. Brush/needle inserter
5. Electronic foot control
6. Nets
7. Spool caps
8. Looper threader
9. Accessory bag
10. Dust cover
11. Waste collector
12. Oiler

附件

1. 机针组件 130 / 705H (蓝狮)
2. 螺丝刀
3. 镊子
4. 刷子 / 插针器
5. 脚踏控制器
6. 线团网
7. 线团座
8. 弯针线穿线钩
9. 附件袋
10. 防尘罩
11. 集尘器
12. 油壶



Thread stand

Push the support rod firmly into the socket on the back of the machine.

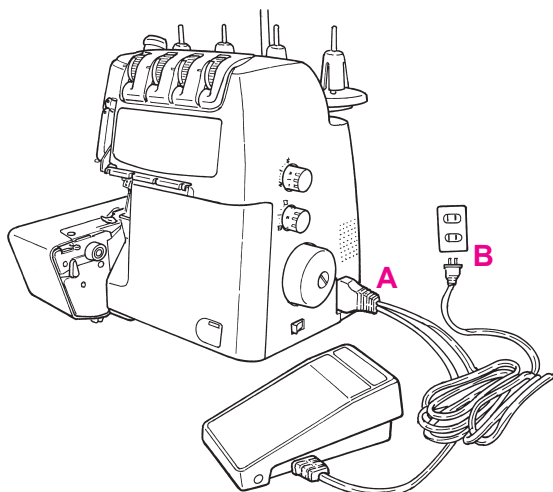
Raise the support rod (A) fully, turning slightly until the position catches engage. Position the thread guide (B) on the thread stand so that the arrow is to the front.

线架

把线架杆完全插入在机器背后的槽内。

完全提升线架杆 (A)，慢慢将其转至位置。将线架帽 (B) 插入线架杆顶部。注意线架帽上的箭头朝您。

Preparing the machine / Using the machine 运转前准备 / 使用操作机器



Attaching the foot control

Plug foot control into the machine socket (A) and then into main socket (B). The foot control regulates the sewing speed. The sewing speed can be adjusted by increasing or decreasing the pressure on the foot control.

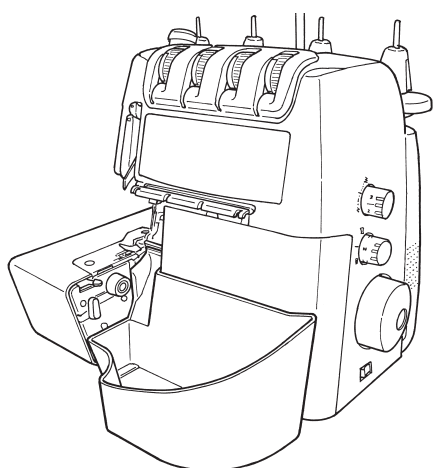
⚠ “WARNING”

This appliance has a polarized plug (one blade wider than the other). To reduce the risk of electric shock, this plug is intended to fit in a polarized main socket only one way.

If the plug does not fit fully in the polarized main socket, reverse the plug. If it still does not fit, contact a qualified electrician to install the proper polarized main socket. Do not modify the plug in any way. (for USA, Canada only)

脚踏控制器的连接

将脚踏控制器的插头插入机器上的插座（A）并将其插入电源插座（B）。该脚踏控制器可控制缝制速度。用脚控制速度，踩浅为慢速，踩深为快速。



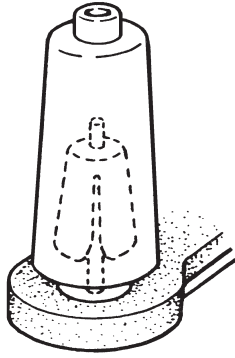
Waste collector

Clip the waste collector into the opening on the looper cover. It catches the cut-off fabric as you sew, keeping your working area neat and tidy.

集尘器

将集尘器夹置在弯针罩板前。它可将你在缝制过程中产生的废料垃圾收集起来，以保持你工作区域的整洁。

Preparing the machine / Using the machine 运转前准备 / 使用操作机器

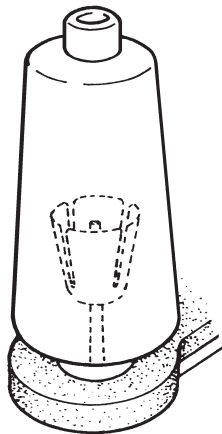


Thread / cones / spools

The anti-vibration cone should be used with the wider edge at the bottom on the spool holder pin when sewing with cones.

缝线 / 线圈 / 线团

在缝制时，将线团放置到防摆动线架上。

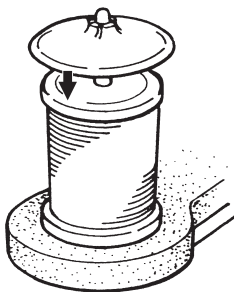


Large spools

If large industrial spools are used, position the anti-vibration cone upside down on the spool holder pin, i .e. with the wider edge at the top.

大线团

如果要使用大号工业用线团，请将防摆动用线架倒置插紧。

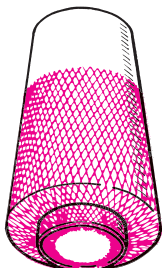


Household spools

Remove the anti-vibration cones. Place spools on spool holder pins and push the spool caps on with the rounded side downwards.

小号家庭用线团

请去掉防摆动用线架。将线团插入线架插座，并装上线架帽使其凸起面向上。



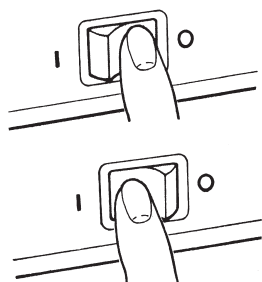
Thread net

If the threads slip and get twisted, cover the looper spools with the net supplied in the accessory bag.

线团网

如果缝线有滑动或扭曲，可将放置在附件袋里的此线团网覆盖在弯针线团上。

Using the machine / 使用操作机器



Main Power/light switch

The main power/light switch is conveniently placed on the handwheel side of the machine in front of the socket.

0 = Off

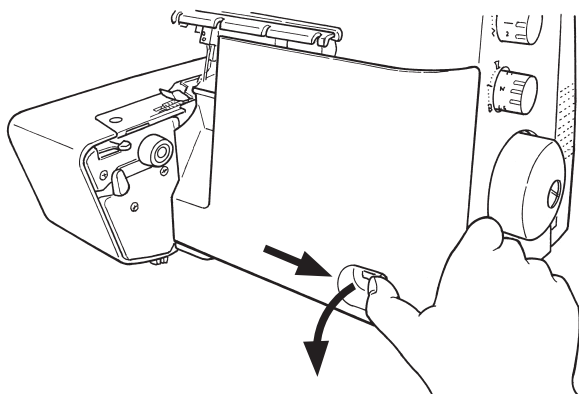
I = On with light

电源 / 照明开关

电源 / 照明开关被设置于机器侧面的手轮下方，位于插座的前面，使用简便。

0= 关闭

I= 打开并灯亮



Looper cover

To open, press to the right with your thumb in the indent provided and tilt the cover towards you. To close push it up and press lightly to the right. The cover engages automatically.

Safety device: The sewing machine is equipped with a safety device in order to prevent malfunction. In any of the following cases, the safety device works to prevent the sewing machine from running.

- * When the looper cover is opened
- * When the cloth plate is opened
- * When the presser foot is raised

弯针罩板

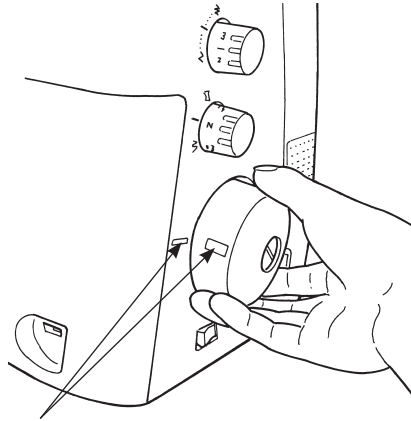
打开：将弯针罩板向右拉，并沿自己方向旋转。关闭：将弯针罩板向上翻，并轻轻向右一按，弯针罩板即自动关闭。

安全装置：缝纫机上装有安全装置

为了防止故障的发生，在下列情况下，安全装置可以起到防止机器运转而引发事故。

- * 当弯针罩板被打开时
- * 当缝台被打开时
- * 当压脚抬升时

Using the machine / 使用操作机器



Handwheel

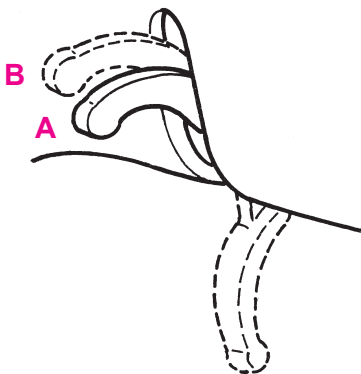
The handwheel turns forward, i.e. in the same direction as on a household sewing machine.

手轮

手轮要向前转动，家用缝纫机都是朝一个方向转。

* The needle is brought to its upper end by aligning the “■” marking on the side of the front cover with the “□” marking on the handwheel.

* 将机罩侧面盖板上的“■”标记对准手轮上的“□”标记后即可使机针处于最高位。



Two step presser foot lifter with integrated front foot lift

To raise the presser foot, lift the presser foot lever on the rear of the machine, until it engages (A). It can be raised again to the maximum height and held in this position to provide more space between presser foot and stitch plate (B).

When the foot is raised (A and B), the front of the foot is automatically lifted.

Note: When the presser foot is raised, all the tensions are released making it easier to thread the machine.

压脚扳手的使用方法

通过压脚扳手即可使压脚抬升
通常情况下，压脚扳手抬升至 A 位置
在需要更换压脚或缝制厚料需要压脚与针板之间释放出更多的空间时，可将压脚扳手抬升至 B 位置。

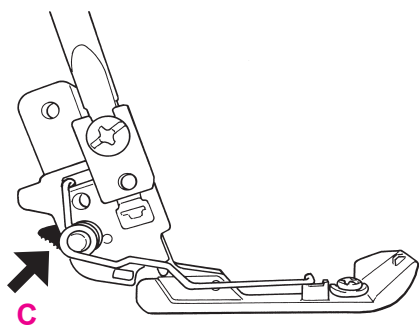
注意：一旦将扳手抬升至 A 位置时，夹线片是处于打开状态，因此在穿线时请务必抬升压脚。

Changing the presser foot

! • Switch the machine off (power switch "0") and deactivate the upper knife.

- Raise the presser foot.
- Turn handwheel towards you until needles are fully raised. Match the matching up marks on handwheel and side cover.

Press the catch (C) to release the presser foot from the clamp. Raise the presser foot shank to the highest position (B) and remove the presser foot to the left. To attach the presser foot, place it under the shaft. The groove in the shaft should line up exactly with the presser foot pin (D). Lower the presser foot lifting lever and check that the groove in the shank should line up exactly with the presser foot pin (D). If it is not lined up, press the catch (C) to line up.



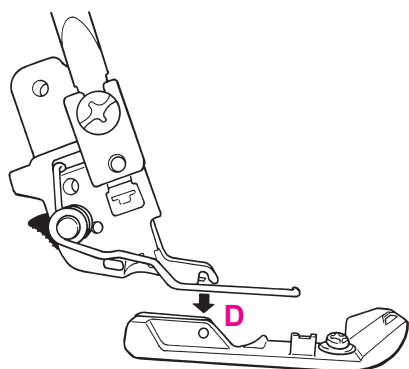
更换压脚

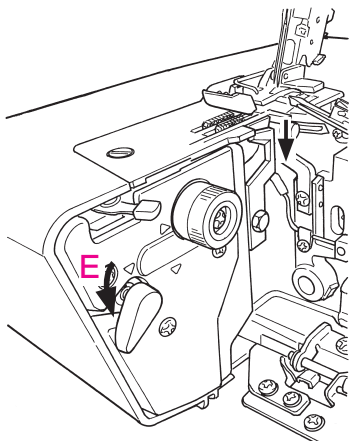
! • 关闭电源（电源开关“0”）

- 抬升压脚
- 朝自己的方向转动手轮，直至机针达到最高点。

按下 C 部，拆下压脚。

在安装压脚时，要将压脚扳手抬升至最高位 (B)，将压脚放置在其下方，将压脚上的销对准压脚夹具的槽 (D)，一旦放下压脚扳手即可自动安装上去。





To carry out sewing without cutting the material (the upper knife is deactivated)

! Turn off the power switch before deactivating the upper knife.

1. Lower the upper knife changeover knob in the direction of the arrow.
2. Check to be sure that the knife is lowered.

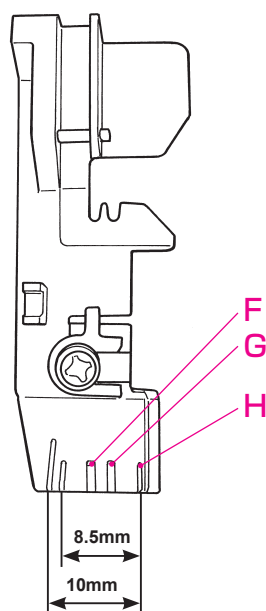
Caution: To activate the upper knife, bring the upper knife changeover knob at position **E**. Turn the handwheel by two revolutions by hand.

无需剪切面料进行缝制时（解除上切刀）

! 在解除上切刀时，请务必关闭电源。

1. 将上切刀切换旋钮往箭头方向下降。
2. 请确认上切刀是否已下降。

注意：在使用上切刀时，将上切刀切换旋钮放置在 E 位置上，用手旋转手轮至少 2 圈以上进行确认。



How to use the presser foot

Use the marker on the presser foot as a guide when placing the material under the presser foot.

(F) Left needle position

(G) Right needle position

(H) Knife position (when the lower knife adjusting knob is set at scale mark "1.5")

The knife position represents the position at which the material is cut.

如何使用压脚

当面料放置在压脚下方时可使用有标记的压脚作为导向。

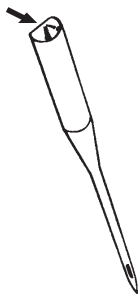
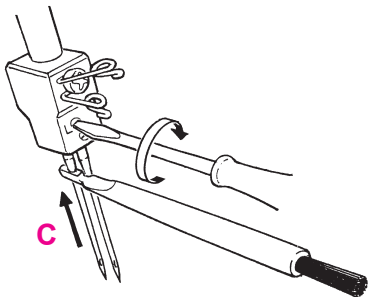
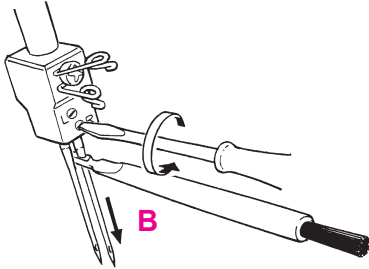
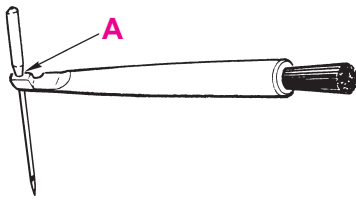
(F) 左针的位置

(G) 右针的位置

(H) 切刀位置（在下刀调节旋钮设置在刻度标记“1.5”处）

切刀的位置表示的是面料被切的位置。

Using the machine / 使用操作机器



Inserting the needles

Needles can be inserted quickly and easily with the practical needle inserter (A).

Switch the machine off (Power switch to "0")

Disconnect machine from electricity supply.

Turn handwheel towards you until needles are fully raised. Match the matching up marks on handwheel and side cover.

Lower the presser foot.

Using the small screwdriver, loosen the needle setscrews and remove the needles (B).

Place the right-hand needle, flat side towards the back, into the hole of the needle inserter and insert the needle as far as possible into the needle clamp. Tighten the setscrew lightly and then insert the left-hand needle in the same way and tighten both setscrews (C).

更换机针

将机针插入插针器 (A) 处即可简便且迅速地安装完成。

关闭电源 (电源开关到 "0")

朝着自己的方向转动手轮将机针提升到最高点。对准手轮及侧盖上的标记。

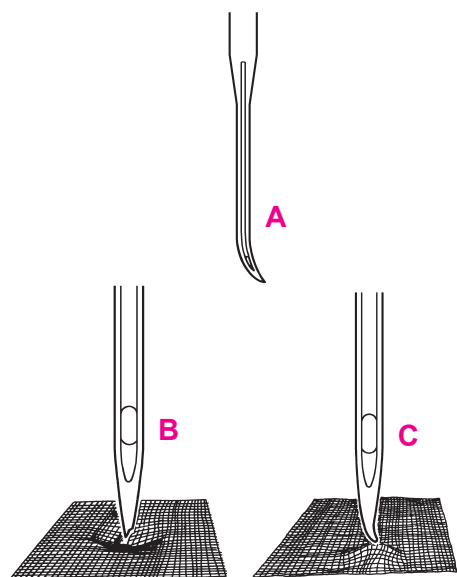
放下压脚。

用小螺丝刀松开固定螺丝并拆下机针 (B)。

将右针平面朝后，将机针插到底碰到针夹头。

拧紧螺丝，然后轻轻插入左针以同样的方式并拧紧固定螺丝 (C)。

Needle and thread / 机针和缝线



Needles

Needles must be in perfect condition.

Problems can occur if needles:

- A are bent.
- B are damaged or blunt.
- C have hooked points.

机针

机针必须是完好无损。

机针如果发生如下问题则有可能会引发故障：

- A 弯曲。
- B 机针破损或是针尖磨损。
- C 有毛刺。

Needle and thread

The needle size used depends on the thread. The needles should be in accordance with thread used.

When sewing, the thread is fed through the long groove in the needle. If the needle is too fine, the thread does not fit into the groove and stitches will be skipped.

Use needles No. 70 - 90.

* It is recommended to use JLx2 needle, especially when sewing thick materials, overlapped section, etc, with overlock machine.

机针和缝线

机针的型号取决于缝线。机针大小应该与缝线粗细相符。

在缝纫时，缝线会穿过机针上的针孔。如果机针太细的话，缝线将无法穿过针孔或引发跳线。

机针型号为 Mo. 70-90。

* 推荐使用 JLx2 机针，特别是缝制厚料时，几层叠起的重叠部位以及包缝等工序时较适宜。

Needle and thread / 机针和缝线

Thread/decorative threads

Sewing and special overlock threads are manufactured in a wide variety of types, weights and combination of fibres. It is worth investing in good quality threads for perfect sewing results. Decorative threads specially made for overlockers (available on cones) are also becoming widely available. We recommend following the basic guidelines when using special threads on your overlocker:

- Purchase threads on cones or spools which are produced exclusively for overlocking.
 - When using normal spools, use the spool caps (in accessory bag).
 - Only use decorative threads in the loopers. The thread must move easily and without resistance through the thread guides and looper eyes.
 - The thicker the thread, the longer the stitch length (3-4).
 - The thicker the thread, the looser the tensions
 - Sew slowly when using decorative threads. Pull the thread chain gently to the rear when starting to sew.
- Always test sew decorative threads before starting to sew your work.

缝线 / 装饰线

特殊的缝制线是由不同品牌，重量和不同纤维混合的线。为了达到良好的缝制效果准备这些线是很有必要的。装饰线是特别为包缝准备的。当然也适用于其他缝迹。当您需要用特殊线进行缝制时，我们推荐下记基本方针。

- 购买线团或是线轴，专门用于包缝作业。
 - 当使用正常规格的线轴时，请使用线团座（在附件袋里）。
 - 弯针单独使用装饰线。该装饰线必须是顺畅地无阻力地穿过导线器及弯针孔。
 - 线越粗针迹长度可越长（3-4）。
 - 线越粗收线张力可越松。
 - 使用装饰线时缝制速度要慢。要将线环轻轻地拉向后方再开始缝制。
- 在正式缝制之前务必请先用装饰线进行试缝。

Needle and thread / 机针和缝线

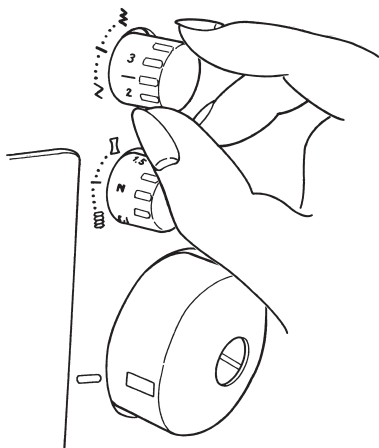
Thread, needle, application table

Thread	Needles	Where	Application
All purpose overlock thread 120/2 (polyester)	70-90	Needles and looper threads	For all overlock.
Polyester-continuous filaments		Loopers only	Neatening edges
Woolly nylon		Loopers only	Soft seams in knits, rolled hems.
Spun Polyester	80-90	Needles, and looper threads	Seams in all fabrics.
Embroidery/darning and decorative threads	70-90	Loopers only	Neatening edges, rolled hems.

缝线，机针，操作台

缝线	机针	部位	应用
所有的包缝线 120 / 2(聚酯)	70-90	机针和弯针	所有包缝
聚酯长丝		仅弯针	包边
羊毛尼龙		仅弯针	针织面料，全卷边。
涤纶短纤	80-90	机针和弯针	所有的织物接缝。
刺绣 / 织补和装饰线	70-90	仅弯针	包边，卷边。

Adjustments and settings / 缝迹长度的调整



Stitch length

It can be adjusted while sewing.

The stitch length is infinitely variable from 1-4mm. Most overlock work is done with a basic setting of 2.5mm.

For roll hemming or narrow overlocking, it is best to set the dial at "1 to 1.5".

For blind stitch which requires the "use of separately-available presser foot", set the dial at "4".

缝迹长度

通过送布调节旋钮即可调整。

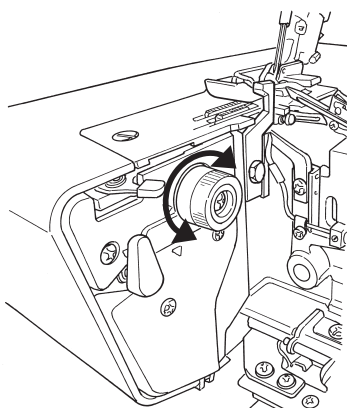
即使是在缝制中也可在【1 ~ 4】的范围内进行调整。

普通的包边缝以【2.5】为基准。

全卷边缝，窄边包缝以【1 ~ 1.5】为最佳。

进行绕缝使用另售压脚时要调整为【4】。

Adjustments and settings / 缝迹长度的调整



Cutting width

! Switch the machine off (Power switch to "0")

Disconnect machine from electricity supply.

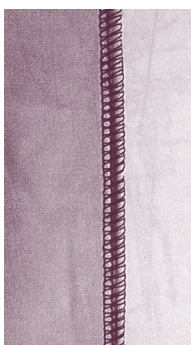
- Raise the upper knife.
 - Turn cutting width adjustment dial in the desired direction.
 - Lower upper knife.
- 1 = 3–5 mm seam width
2 = 4–6 mm seam width
3 = 5–7 mm seam width
4 = 6–8 mm seam width
5 = 7–9 mm seam width

The position of the lower knife determines the width of the seam.

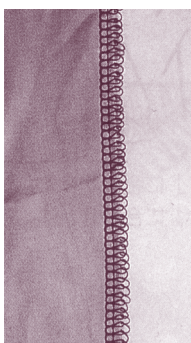
Reduce the cutting width if the edges of fine fabric curl up when being sewn (A).

Increase the cutting width if the loops seem to be too loose (B).

A



B



WARNING

Do not carry out sewing with a marking pin stuck in the material. In addition, do not attempt to cut anything other than fabric and thread with the upper/lower knives. Be aware that doing so can cause needle break or personal injury.

宽幅与布料剪切宽幅的调节

! 在调整下切刀位置时，请关闭电源开关

- 抬升上切刀。
- 按照想剪切的宽度来调整剪切宽度调节盘。
- 放下上切刀。

1 = 3 ~ 5mm 缝宽

2 = 4 ~ 6mm 缝宽

3 = 5 ~ 7mm 缝宽

4 = 6 ~ 8mm 缝宽

5 = 7 ~ 9mm 缝宽

下切刀的位置确定

通过下切刀的位置来确定缝制的宽度。

降低剪切宽度的话，细织物的边缘会被卷进去（一）。

提升剪切宽度的话，线环会太松（B）。

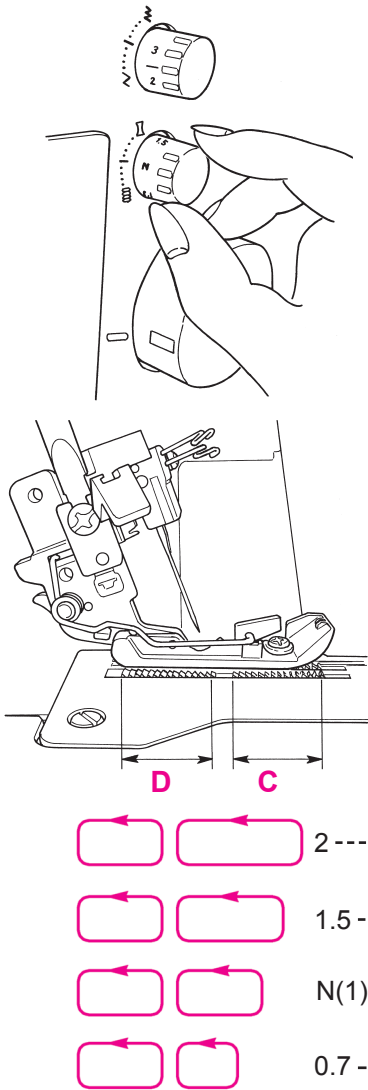


警告



在缝制时请勿将珠针等留面料里，以免造成机针或是切刀损坏。此外，也请不要用上下切刀去剪切任何织物或是线以外的任何物品。否则会造成断针或是人身伤害。

Adjustments and settings / 缝迹长度的调整



Differential feed

There are two feed dogs one front (C) and one rear (D). The two feed dogs move independently and the distance each feed dog travels during one complete movement can be adjusted. The differential feed prevents fluting or waving in knitted or stretch fabrics and movements between the layers of fabric. It also ensures pucker-free seams in smooth fabric such as nylon or closely woven fabric.

Perfectly flat seams in knits or stretch fabrics.

The distance travelled by the front feed dog should be greater than that of the rear feed dog. The front feed dog, therefore, feeds an amount of fabric which the rear feed dog can take up behind the needle without stretching the fabric. (E)

Pucker - free seams in nylon or closely woven fabrics.

The distance travelled by the rear feed dog should be greater than that of the front feed dog. The front feed dog, therefore, holds the fabric back so that the rear feed dog can take it up behind the needle without any puckering. (F)

Adjusting the differential feed

The differential feed can be adjusted by simply turning the differential feed adjustment dial in the direction desired. Always make a trial run. The differential feed is infinitely variable and can be adjusted while sewing.

调节差动送布

本机器有前齿 (C) 和后齿 (D) 共 2 组送布牙。这 2 组送布牙均可独立运作，同时当一个送布牙完成一个完整的运动轨迹时，另一个送布牙开始运作。差动送布可防止针织或弹性面料间的偏差或移动以及多层面料间的送布运动。同时还可确保平滑面料如尼龙或是无缝面料的缝制无误。

针织或弹性面料的平整接缝

前送布牙移动的距离应大于后送布牙。由此，前送布牙在输送一定的送布量时，位于机针后方的后送布牙可有效防止弹性面料损伤。(E)

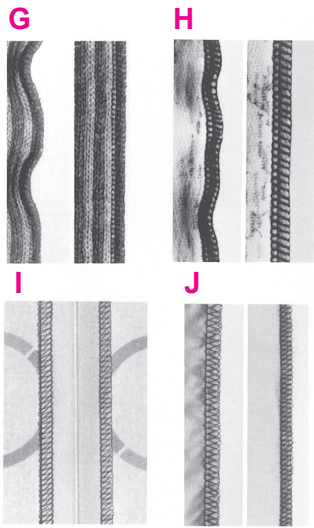
起皱 - 无缝尼龙或是密织面料

通过后送布牙移动的距离应大于前送布牙。由此，前送布牙可保持住面料，而位于机针后方的后送布牙可有效防止起皱。(F)

调整差动送布

差动送布可以按照所期望的通过简单地旋转差动送布调节旋钮来进行调整。请务必先进行试缝。该差动送布可无级变速并可在缝制中微调。

Adjustments and settings / 缝迹长度的调整



Adjusting the differential feed

Simply turn the dial in the direction desired for fully variable adjustment while sewing.
Test sew.

	Effect	Fabric
2	Wave-free seams (G)	Thick wool knits, hand knitted articles, very stretchy fabrics
1.5	Wave-free seams (H)	Cotton, silk, synthetic jersey, sweatshirt fabrics and fine knits
N	Normal feed (I)	Woven fabrics
0.7	No puckering (J)	Fine nylon jersey, closely woven fabrics, lining fabric satin, poplin

调整差动送布

只需转动调节盘即可进行缝制。
试缝。

	效果	缝制品
2	易拉伸的面料 (G)	厚毛线编织, 手工编织的, 非常有弹性的面料
1.5	易收缩的面料 (H)	棉花, 丝绸, 人造衫, 运动衫面料和高档针织
N	正常面料 (I)	棉布
0.7	不易起皱的面料 (J)	细尼龙衫, 紧密编织的织物, 织物缎纹

Adjustments and settings / 缝迹长度的调整



Gathering

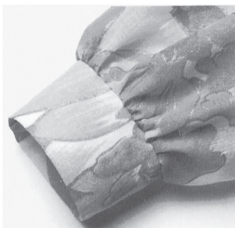
Using the differential feed, a single layer of fabric can be gathered before sewing it to the garment.

For example, sleeve heads and lower edges, yokes, lace edging or frills.

Adjustment:

- Stitch: 4-thread overlock
- Differential feed: 2
- Stitch length: 3-4
- Cutting width: 2-3

Increase the needle thread tension (6-8) for a tighter gather.



取褶

薄料，普通面料，一块即可进行取褶缝。

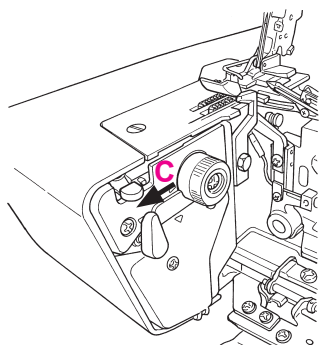
例如，连衣裙，衣服下摆，约克，花边或装饰缝肩，花边或装饰。

调整：

- 缝迹：4线包缝
- 差动调整：2
- 缝迹长度：3-4
- 切割宽度：2-3

增加面线张力（6-8）可收的更紧。

Adjustments and settings / 缝迹长度的调整

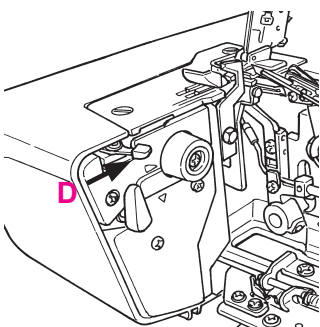


Roll hemming

- Turn the handwheel towards you until the needles are fully raised.
- For roll hemming, pull the overlocking width changeover knob toward you and check that the overlocking claw retracts. (C).
- For overlocking, push the overlocking width changeover knob away from you to check that the overlocking claw projects. (D).

The roll hemmer is fully integrated in the machine. The edge of the fabric will be automatically rolled over, producing a very narrow, fine seam or hem.

Roll hemming is ideal for finishing edges on all fine fabrics, such as evening clothes, lingerie, scarves, frills and also for curtains and napkins.



卷边缝

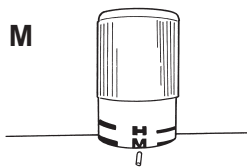
- 朝自己的方向转动手轮抬升机针。
- 卷边缝时，将包边宽幅切换旋钮朝自己方向拉，下降包边爪，并确认下切刀调节旋钮的刻度。(C)
- 包缝时，将包边宽幅切换旋钮朝反方向推，下降包边爪，并确认下切刀调节旋钮的刻度。(D)

窄包边缝是比普通的包边缝更为细窄的一种缝制形式。

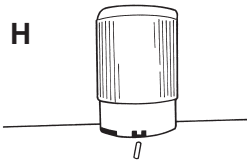
卷边缝，窄包边缝适合所有的细织物，如睡衣，内衣，围巾，花边，窗帘和餐巾。

Adjustments and settings / 缝迹长度的调整

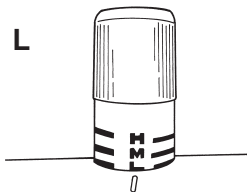
M



H



L



Presser foot pressure

The presser foot pressure is factory adjusted to a medium setting.

Align the marker line on the presser foot pressure regulating knob with the upper end of the top cover.

Position of knob for normal pressure (M) = Medium.

More pressure: for thick or stiff fabrics such as denim, tweed, firm linen (H) = High.

Less pressure: for light-weight or sheer fabrics and knits (L) = Low.

压脚压力调节

压脚压力调整在出厂时为标准压力。调整压脚压力使之与与顶盖上端调节旋钮的标志线一致。

正常压力旋钮的位置 (M) = 标准。

更高的压力: 厚料如牛仔布, 斜纹织物, 亚麻布 (H) = 高。

较少的压力: 轻薄的面料面料和针织物 (L) = 低。

Threading preparations / Tips 穿线的准备

1. Extend the retractable support rod fitted with open thread guide as far as it goes.
2. Raise the presser foot. (Tension disk opens.)
3. Open the looper cover.
4. Turn the power on.

Threading sequence

The thread guides can be threaded in any sequence.
The threading sections are color coded correspondingly.

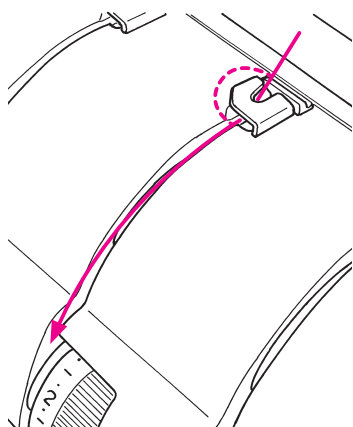
- Lower looper thread (red markings)
- ▲ Upper looper thread (purple markings)
- Right needle thread (green markings)
- ◆ Left needle thread (beige markings)

1. 附着在穿线导向上的穿线杆将其拉升至最高。
2. 抬升压脚。(打开夹线片。)
3. 打开弯针罩。
4. 打开电源。

穿线顺序

穿线无论从哪个线开始穿均可。
每根针穿线的部位都有用盐水标注。

- 下弯针线 (红色标记)
- ▲ 上弯针线 (紫色标记)
- 右针线 (绿色标记)
- ◆ 左针线 (黄色标记)



Threading the thread guide No. 1
















Bring down the thread which is put on the retractable support rod to thread the thread guide No. 1 from its left side. Then, route the thread downward to bring it toward you.

第1线导向内的穿线

用手拿住穿在穿线杆内要穿的线，然后将其从第1线导线器的左侧穿过去，并朝自己一侧拉。
















Stitch chart

* The scale marks of the tension regulating dial listed below are just a guide. The correct adjustment differs according to the type of thread and material to be used.

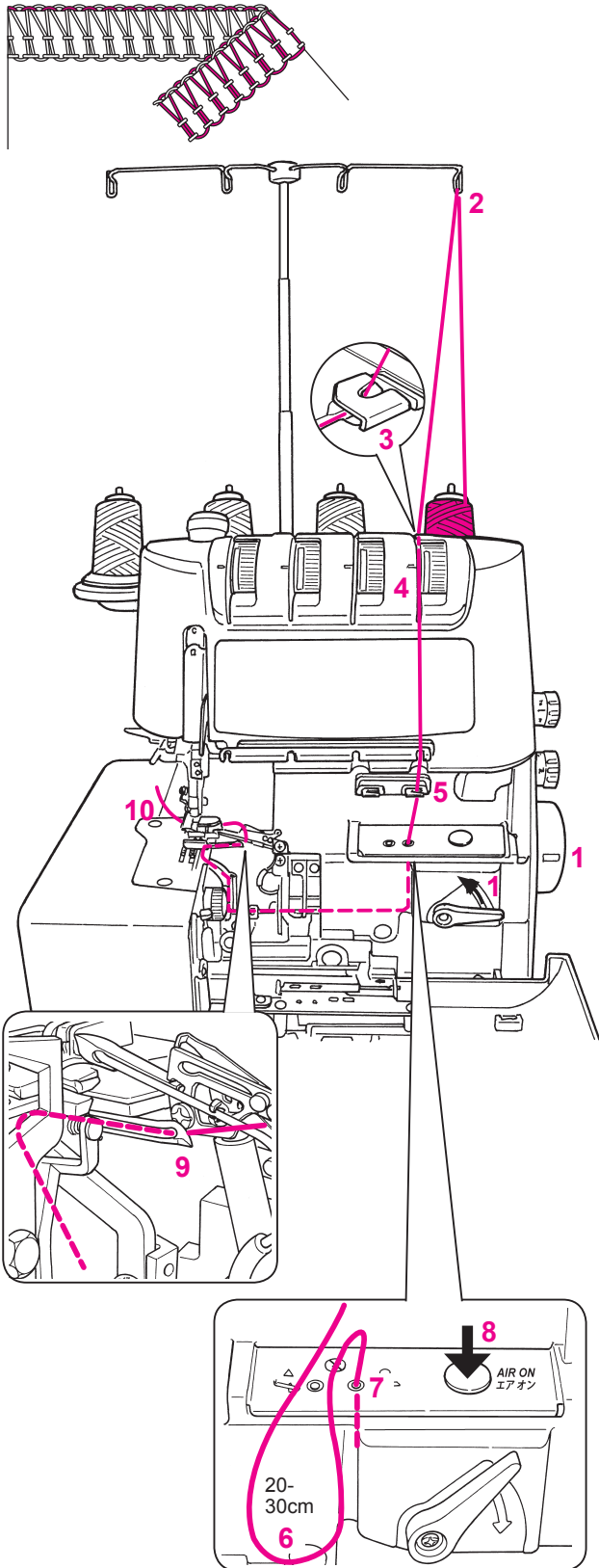
Stitch	Stitch width	Thread tension	Basic settings
4-Thread overlock with integrated safety seam 	5-9 mm, right and left needles	Left needle (beige) 3-5 Right needle (green) 3-5 Upper looper (purple) 3-5 Lower looper (red) 3-5	Stitch length: 2.5 Cutting width: 1-5 Differential: N-2 (knits) 0.7-N (wovens)
3-Thread super stretch 	5-9 mm, right and left needles	Left needle (beige) 3-5 Right needle (green) 3-5 Lower looper (red) 1.5-4	Stitch length: 2-2.5 Cutting width: 1-5 Differential: N-2 (knits) 0.7-N (wovens) Upper looper converter
3-Thread overlock Left needle  Right needle 	5-9 mm, left needle <hr/> 3-7 mm, right needle	Left needle (beige) 3-5 Upper looper (purple) 3-5 Lower looper (red) 3-5 <hr/> Right needle (green) 3-5 Upper looper (purple) 3-5 Lower looper (red) 3-5	Stitch length: 2.5 Cutting width: 1-5 Differential: N-2 (knits) 0.7-N (wovens)
3-Thread Flatlock Left needle  Right needle 	5-9 mm, left needle <hr/> 3-7 mm, right needle	Left needle (beige) 1-3 Upper looper (purple) 1-5 Lower looper (red) 5-7 <hr/> Right needle (green) 1-3 Upper looper (purple) 1-5 Lower looper (red) 5-7	Stitch length: 2-2.5 Cutting width: 1-5 Differential: N
3-Thread narrow seam 	2 mm, right needle	Right needle (green) 3-6 Upper looper (purple) 3-6 Lower looper (red) 4-6	Stitch length: 1-1.5 Cutting width: 1-2 Differential: N-0.7 Stitch lever: roll hem
3-Thread roll hem 	2 mm, right needle	Right needle (green) 3-5 Upper looper (purple) 3-4 Lower looper (red) 5-7	Stitch length: 1-1.5 Cutting width: 1-2 Differential: N-0.7 Stitch lever: roll hem
2-Thread wrapped overlock Left needle  Right needle 	5-9 mm, left needle <hr/> 3-7 mm, right needle	Left needle (beige) 4-6 Lower looper (red) 3-5 <hr/> Right needle (green) 3.5-5.5 Lower looper (red) 2.5-4.5	Stitch length: 1-2.5 Cutting width: 1-5 Differential: N Upper looper converter
2-Thread Flatlock Left needle  Right needle 	5-9 mm, left needle <hr/> 3-7 mm, right needle	Left needle (beige) 1-3 Lower looper (red) 3-5 <hr/> Right needle (green) 2-4 Lower looper (red) 4-6.5	Stitch length: 2-3 Cutting width: 1-5 Differential: N Upper looper converter
2-Thread roll hem 	2 mm, right needle	Right needle (green) 3-5 Lower looper (red) 4-6	Stitch length: 1-1.5 Cutting width: 1-2 Differential: N-0.7 Upper looper converter
2-Thread overlock Left needle  Right needle 	5-9 mm, left needle <hr/> 3-7 mm, right needle	Left needle (beige) 1-3.5 Lower looper (red) 4-6 <hr/> Right needle (green) 1.5-4 Lower looper (red) 5.5-7.5	Stitch length: 2.5 Cutting width: 1-5 Differential: N Upper looper converter

各个缝迹调节刻度的刻度标准

* 下述夹线张力调节盘的刻度是基准。但由于线的种类以及面料的种类不同会有所差异。

缝迹	缝迹宽度	线张力	基本设置
四线接缝包边缝 	5-9 mm, 左、右针	左针 (黄色) 3-5 右针 (绿色) 3-5 上弯针 (紫色) 3-5 下弯针 (红色) 3-5	线迹长度: 2.5 切割宽度: 1-5 差动: N-2 (针织) 0.7-N (无纺布)
3线弹力缝 	5-9 mm, 左、右针	左针 (黄色) 3-5 右针 (绿色) 3-5 下弯针 (红色) 1.5-4	线迹长度: 2-2.5 切割宽度: 1-5 差动: N-2 (针织) 0.7-N (无纺布) 上弯针包边
3线包边缝 左针  右针 	5-9 mm, 左针 <hr/> 3-7 mm, 右针	左针 (黄色) 3-5 上弯针 (紫色) 3-5 下弯针 (红色) 3-5 <hr/> 右针 (绿色) 3-5 上弯针 (紫色) 3-5 下弯针 (红色) 3-5	线迹长度: 2.5 切割宽度: 1-5 差动: N-2 (针织) 0.7-N (无纺布)
3线开线缝 左针  右针 	5-9 mm, 左针 <hr/> 3-7 mm, 右针	左针 (黄色) 1-3 上弯针 (紫色) 1-5 下弯针 (红色) 5-7 <hr/> 右针 (绿色) 1-3 上弯针 (紫色) 1-5 下弯针 (红色) 5-7	线迹长度: 2-2.5 切割宽度: 1-5 差动: N
3线窄包边缝 	2 mm, 右针	右针 (绿色) 3-6 上弯针 (紫色) 3-6 下弯针 (红色) 4-6	线迹长度: 1-1.5 切割宽度: 1-2 差动: N-0.7 缝迹类型: 全卷边
3线全卷边缝 	2 mm, 右针	右针 (绿色) 3-5 上弯针 (紫色) 3-4 下弯针 (红色) 5-7	线迹长度: 1-1.5 切割宽度: 1-2 差动: N-0.7 缝迹类型: 全卷边
2线宽幅卷边缝 左针  右针 	5-9 mm, 左针 <hr/> 3-7 mm, 右针	左针 (黄色) 4-6 下弯针 (红色) 3-5 <hr/> 右针 (绿色) 3.5-5.5 下弯针 (红色) 2.5-4.5	线迹长度: 1-2.5 切割宽度: 1-5 差动: N 上弯针包边
双线开线缝 左针  右针 	5-9 mm, 左针 <hr/> 3-7 mm, 右针	左针 (黄色) 1-3 下弯针 (红色) 3-5 <hr/> 右针 (绿色) 2-4 下弯针 (红色) 4-6.5	线迹长度: 2-3 切割宽度: 1-5 差动: N 上弯针包边
双线开线缝 	2 mm, 右针	右针 (绿色) 3-5 下弯针 (红色) 4-6	线迹长度: 1-1.5 切割宽度: 1-2 差动: N-0.7 上弯针包边
双线全包边缝 左针  右针 	5-9 mm, 左针 <hr/> 3-7 mm, 右针	左针 (黄色) 1-3.5 下弯针 (红色) 4-6 <hr/> 右针 (绿色) 1.5-4 下弯针 (红色) 5.5-7.5	线迹长度: 2.5 切割宽度: 1-5 差动: N 上弯针包边

Threading 4/3 Thread OL / 3/4 线包缝穿线



Lower looper thread, red markings

Place the spool on the spool holder pin as illustrated.

- (1) Raise the threading changeover lever in the direction of the arrow.
Turn the handwheel toward you until it clicks.
- (2) Thread the thread guide which is located just above the spool from back to front.
- (3) Thread the thread guide No. 1.
- (4) Pull the thread by both hands and thread the thread guide.
- (5) Thread the thread guide.
- (6) Pull out the thread by 20 to 30 cm to let it sag inside the looper cover.
- (7) Pass the top end of thread through threading hole by 1 to 2 cm.
- (8) Press the air-control pushbutton.
- (9) Check to be sure that the thread comes out from the top end of the lower looper.
- (10) Bring the pulled-out thread down from above the upper looper to route it under the presser foot and pull it out from its rear.

Note: If the upper or lower looper thread breaks during sewing, re-threading is necessary. Remove both the broken and unbroken looper threads. Then, set the threading lever to the threading side to carry out threading of the upper and lower loopers.

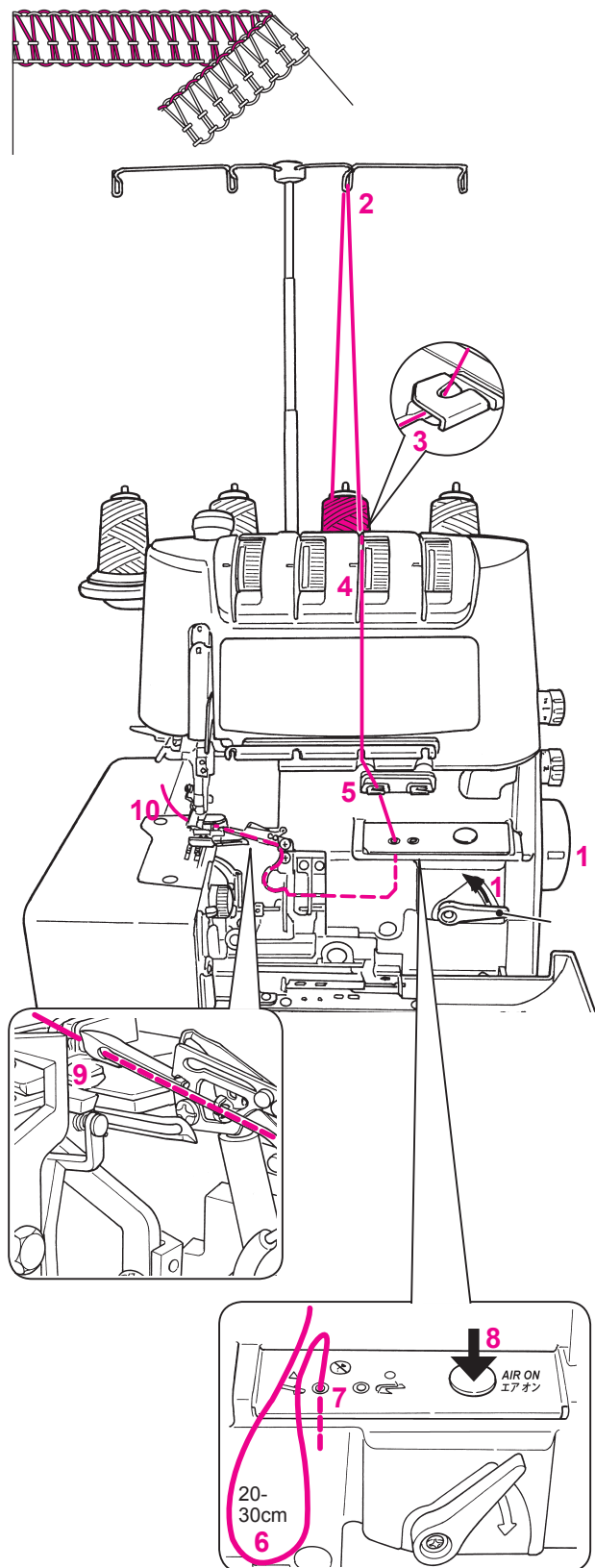
穿下弯针线（红色）

请将线团放置到线团架上。

- (1) 按箭头方向抬升穿线切换扳手，用手朝自己方向旋转手轮直到听到咔其音。
- (2) 从线轴上直直穿上线后往前拉过来。
- (3) 穿入第 1 线导向内。
- (4) 边拉线边放入槽内。
- (5) 穿入线导向内。
- (6) 将线拉出 20 ~ 30cm 然后垂放在弯针罩的内侧。
- (7) 将线头放进穿线孔内 1 ~ 2cm。
- (8) 按气动按钮。
- (9) 确认线是否从下弯针的针孔处飞出来。
- (10) 将拉出来的线从上弯针上方穿过然后再从压脚的下方拉出。

注意：如果再缝制中无论上或下弯针线断线，必须要重新穿线时，请将另外一边未断的线也抽出来，然后再将穿线扳手放置在穿线一侧，再将上下弯针线重新穿线。

Threading 4/3 Thread OL / 3/4 线包缝穿线



Upper looper thread, purple markings

Place the spool on the spool holder pin as illustrated.

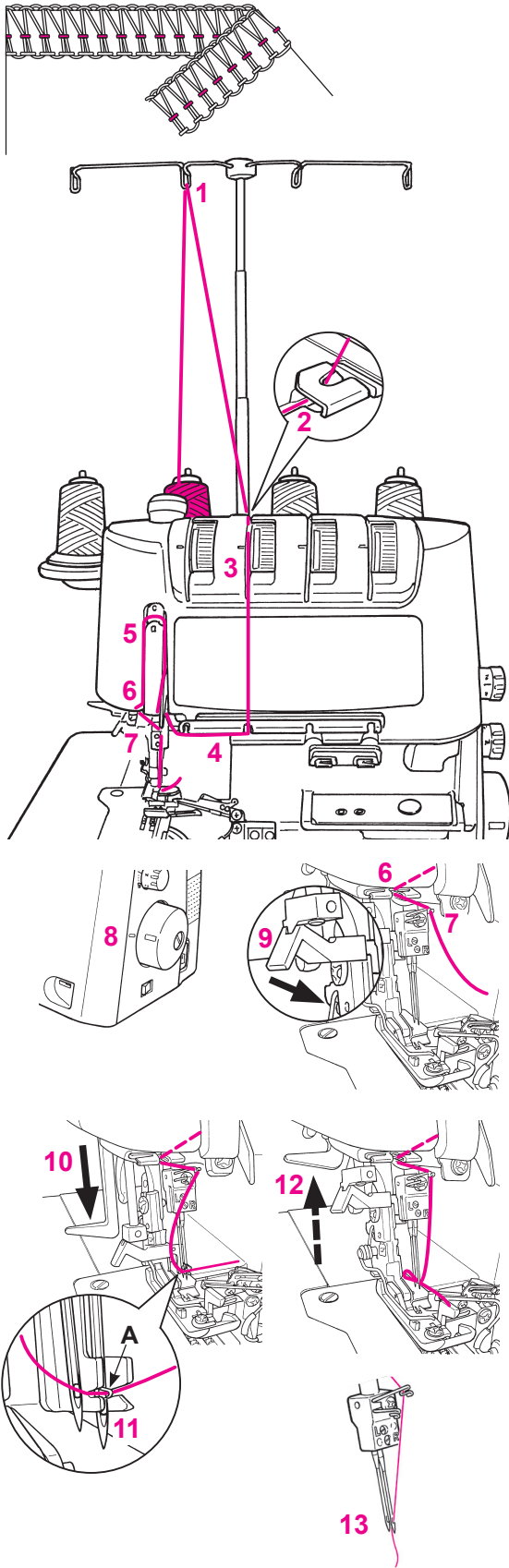
- (1) Raise the threading changeover lever in the direction of the arrow. Turn the handwheel toward you until it clicks.
- (2) Thread the thread guide which is located just above the spool from back to front.
- (3) Thread the thread guide No. 1.
- (4) Pull the thread by both hands and thread the thread guide.
- (5) Thread the thread guide.
- (6) Pull out the thread by 20 to 30 cm to let it sag inside the looper cover.
- (7) Pass the top end of thread through threading hole by 1 to 2 cm.
- (8) Press the air-control pushbutton.
- (9) Check to be sure that the thread comes out from the top end of the upper looper.
- (10) Pull the thread by approximately 10 cm to route it under the presser foot and pull it out from its rear.

穿上弯针线（紫色）

请将线团放置到线团架上。

- (1) 按箭头方向抬升穿线切换扳手，用手朝自己方向旋转手轮直到听到咔其音。
- (2) 从线轴上直直穿上线后往前拉过来。
- (3) 穿入第 1 线导向内。
- (4) 边拉线边放入槽内。
- (5) 穿入线导向内。
- (6) 将线拉出 20 ~ 30cm 然后垂放在弯针罩的内侧。
- (7) 将线头放进穿线孔内 1 ~ 2cm。
- (8) 按气动按钮。
- (9) 确认线是否从上弯针的针孔处飞出来。
- (10) 将线拉出约 10cm 从压脚下方穿过。

Threading 4/3 Thread OL / 3/4 线包缝穿线



Right-hand needle, green markings

⚠️ • Switch the machine off (power switch"0")

Place the spool on the spool holder pin as illustrated.

- (1) Thread the thread guide which is located just above the spool from back to front.
- (2) Thread the thread guide No.1
- (3) Route the thread in the groove.
- (4) Put the thread under the thread guide plate.
- (5) Thread the thread take-up cover (marked in green)
- (6) Thread the thread guide (right-hand side).
- (7) Thread the needle bar thread guide (right-hand side).
- (8) Turn the handwheel to align the "□" marking on it with the "■" marking on the side of the front cover.
- (9) Set the right-/left-needle changeover lever to the right needle side.
Be sure to move the right-/left-needle changeover lever to the right needle side until it will go no further.
- (10) Lower the threading lever as far as it goes.
- (11) Push the thread into section A with both hands.
- (12) The thread automatically passes through the needle eyelet by pushing the threading lever upward.
- (13) Pull out the thread by approximately 10 cm to route it under the presser foot and draw it out from its rear.

穿右针线（绿色）

⚠️ • 穿针线时，请务必关闭电源再进行操作。

请将线团放置到线团架上。

- (1) 从线轴上直直穿上线后往前拉过来。
- (2) 穿入第1线导向内。
- (3) 边拉线边放入槽内。
- (4) 将线穿到线导向板的下方（标记为绿色）。
- (5) 穿过跳线杆罩（标记为绿色）。
- (6) 穿过线导向器（右侧）。
- (7) 穿过针杆线导向器（右侧）。
- (8) 旋转手轮，将□标记对准前机罩盖板侧面的■标记。
- (9) 将右 / 左针切换扳手设置为右针。
- (10) 将穿线扳手下降到最下方。
- (11) 用手将线推入到A部。
- (12) 一旦将穿线扳手往上抬升的话，线即穿过针孔。
- (13) 将线拉出约10cm从压脚下方穿过。

Threading 4/3 Thread OL / 3/4 线包缝穿线

Left-hand needle, beige markings

⚠ • Switch the machine off (power switch "0")

Place the spool on the spool holder pin as illustrated.

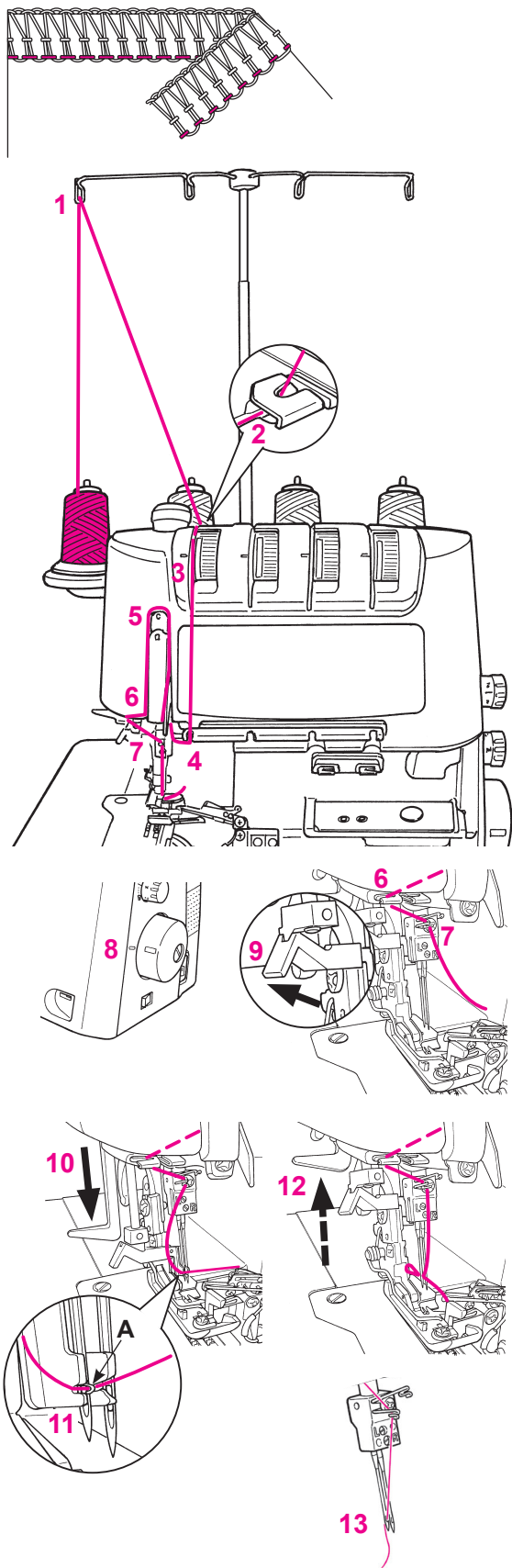
- (1) Thread the thread guide which is located just above the spool from back to front.
- (2) Thread the thread guide No.1
- (3) Route the thread in the groove.
- (4) Put the thread under the thread guide plate.
- (5) Thread the thread take-up cover (marked in beige)
- (6) Thread the thread guide (left-hand side).
- (7) Thread the needle bar thread guide (left-hand side).
- (8) Turn the handwheel to align the "□" marking on it with the "■" marking on the side of the front cover.
- (9) Set the right-/left-needle changeover lever to the left needle side.
Be sure to move the right-/left-needle changeover lever to the left needle side until it will go no further.
- (10) Lower the threading lever as far as it goes.
- (11) Push the thread into section A with both hands.
- (12) The thread automatically passes through the needle eyelet by pushing the threading lever upward.
- (13) Pull out the thread by approximately 10 cm to route it under the presser foot and draw it out from its rear.

穿左针线（黄色）

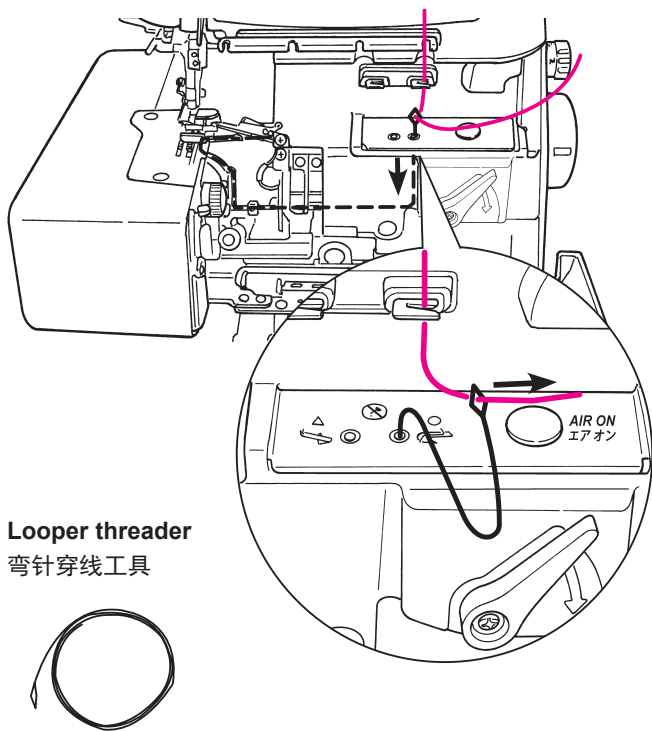
⚠ • 穿针线时，请务必关闭电源再进行操作。

请将线团放置到线团架上。

- (1) 从线轴上直直穿上线后往前拉过来。
- (2) 穿入第 1 线导向内。
- (3) 边拉线边放入槽内。
- (4) 将线穿到线导向板的下方（标记为黄色）。
- (5) 穿过跳线杆罩（标记为黄色）。
- (6) 穿过线导向器（左侧）。
- (7) 穿过针杆线导向器（左侧）。
- (8) 旋转手轮，将 □ 标记对准前机罩盖板侧面的 ■ 标记。
- (9) 将右 / 左针切换扳手设置为左针。
- (10) 将穿线扳手下降到最下方。
- (11) 用手将线推入到 A 部。
- (12) 一旦将穿线扳手往上抬升的话，线即穿过针孔。
- (13) 将线拉出约 10cm 从压脚下方穿过。



Threading 4/3 Thread OL / 3/4 线包缝穿线



How to use the looper threader

To thread woolly thread or any thread that cannot pass smoothly through the threading holes, it is recommended either to use the "looper threader" supplied in the accessory bag, or to prepare an approximately 30cm long spun thread or the like, tie it at the end of the woolly thread, pass the spun thread through the threading hole and pull it until the woolly thread passes through the hole.

(The looper threader can also be used as a cleaning tool for pipes.)

1. Raise the threading changeover lever in the direction of the arrow. Turn the handwheel toward you until it clicks.
2. Pass the thread through the looper threader ring.
3. Pass the looper threader through the looper by hand until it comes out from the end of the looper.

Caution: Do not press the air-control pushbutton.

Note: If the upper or lower looper thread breaks during sewing, re-threading is necessary. Remove both the broken and unbroken looper threads. Then, set the threading lever to the threading side to carry out threading of the upper and lower loopers.

Caution: After the completion of threading of the upper and lower loopers, return the threading lever to its home position. If not, the looper cover cannot be closed.

如何使用弯针穿线工具

羊毛线等较难进入穿线孔的线，可使用附属的【弯针穿线工具】，先将棉线等线剪切掉约 30cm，然后将其前端打结后再进行穿进去将线拉过去。

(弯针穿线工具也可作为清洁用工具来使用。)

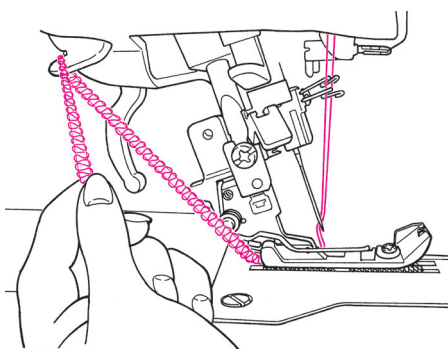
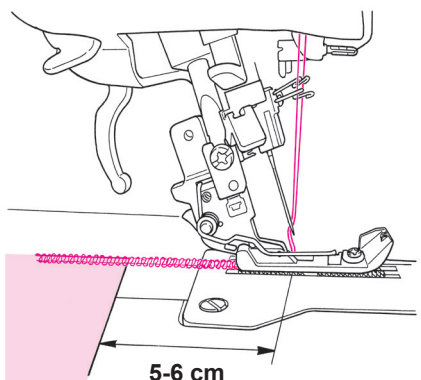
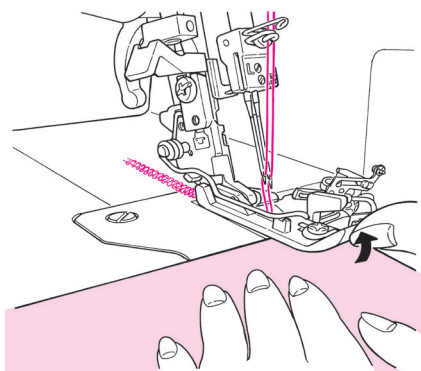
1. 将穿线切换扳手往箭头方向抬升，将手轮朝自己转动直到听见“咔其”一声。
2. 将线穿过弯针穿线工具的圆环。
3. 直到弯针穿线工具从弯针头那里伸出来为止，请用手将该工具一直穿进去。

注意：请不要按气压按钮。

注意：在缝制中无论上下弯针哪根线断了，要重新穿的情况下，请将另外一根没断的线也先抽出来，然后穿线扳手放在穿线一侧，将上下弯针重新穿线。

注意：当上下弯针线穿线完毕，请务必将穿线扳手返回到其原始位置。否则的话，弯针罩将无法闭合。

Trial sewing / 试缝



Sewing test

Use two plies of material to check that the quality of the finished seam and thread tensions are correct.

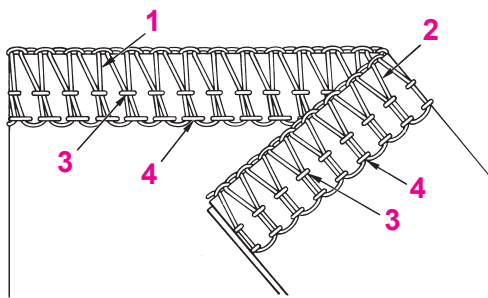
1. Close the looper cover. Turn the power on.
 2. Check that the upper knife is raised.
 3. Lower the presser foot.
 4. While holding the thread trailing from the rear of the presser foot by hand, depress the controller to produce chain-off thread by 6 to 7 cm.
 5. Raise the front side of the presser foot with fingers and insert the material under the presser foot until the upper knife is reached.
 6. Start the sewing machine.
 7. After the completion of sewing, produce chain-off thread by 5 to 6 cm.
 8. Put the chain-off thread over the thread trimming blade for trimming.
- * Chain-off thread is stitch-formed thread with no material.

试缝

采用两块布拼合，检查缝迹以及夹线片是否正确。

1. 关闭弯针罩。打开电源。
 2. 检查上切刀是否抬升。
 3. 下降压脚。
 4. 穿好的线放置在压脚的后方，踩下脚踏板踩出空环 6 ~ 7cm。
 5. 用手指抬升压脚的前端将面料放置到靠近上切刀的位置。
 6. 开始缝制。
 7. 缝制结束的话，在空踩出 5 ~ 6cm 的空环。
 8. 用机器上的剪切口将空环剪切掉。
- * 何为空环：无面料，直接由线的缝迹形状组成的线环。

Thread tension / 正确的缝迹



Check your trial run 4/3 Thread OL

1. Upper looper thread (purple).
2. Lower looper thread (red).
3. Right-hand needle thread (green).
4. Left-hand needle thread (beige).
Perfect stitch formation is when both looper threads meet at the fabric edge. The needle threads form straight stitches for a stretchy and durable seam.

检查双针 4 线包缝

1. 上弯针线（紫色）。
2. 下弯针线（红色）。
3. 右针线（绿色）
4. 左针线（黄色）。
在面料边上由上弯针线和下弯针线咬合在一起。
左针线和右针线则是在面料的正反面都能看见的浮动的线。

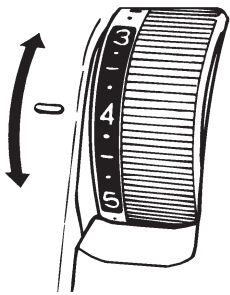
Thread tension

Thread tension should be properly adjusted to suit the various types of work.

The ideal tension setting for most fabrics and threads is between 3 and 5. However this can vary quite considerably when special threads such as filament, woolly nylon, buttonhole twist (cordonnet), pearl yarn or decorative threads are used. Only use decorative threads in the looper. The thread must move easily and without resistance through the looper eye.

Infinitely variable adjustments can be made from 1 - 9.

Turn the dial downwards for less tension.
Turn the dial upwards for more tension.



调整线张力

不完全的缝迹可通过夹线片调节盘（1～9）来进行调节修正。

一般普通的面料的夹线刻度在 3～5。

* 如果是羊毛尼龙线、粗丝线、珍珠纱或装饰线等可能会有所变化。

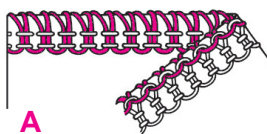
向右转动调节盘张力弱。

向左转动调节盘张力强。

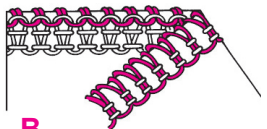
Adjusting the thread tension

Turn the tension dials by quarter or half number, then test sew again and check the result.

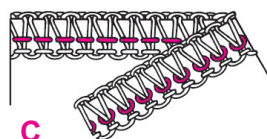
- The loops are formed on the underside.
Tighten the upper looper thread tension, (purple) or loosen the lower looper thread tension, red (A).
- The loops are formed on the upper side.
Tighten the lower looper thread tension, (red) or loosen the upper looper thread tension, purple (B).
- The right-hand needle thread forms loops on the underside.
Tighten the right-hand needle thread tension, green (C).
- The left-hand needle thread forms loops on the underside.
Tighten the left-hand needle thread tension, beige (D).
- The edge of the fabric curls up, tension of both looper threads is too tight:
Loosen upper and lower looper thread tensions, purple and red (E).
- The fabric puckers during sewing:
Loosen the right- or left-hand needle thread tension, green or beige (F).



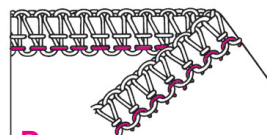
A



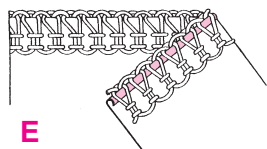
B



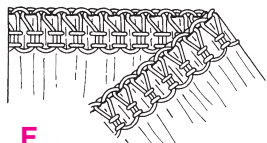
C



D



E

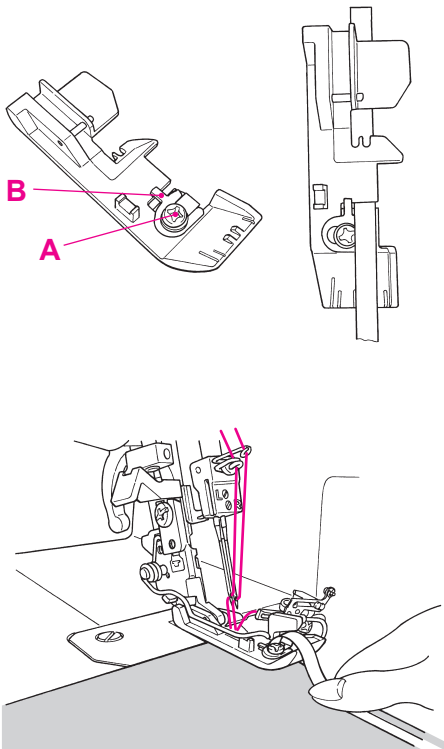


F

调节线张力

以 1/4 或是半圈来旋转调节刻度盘，进行试缝并确认缝制样品。

- 上弯针出现在面料的反面：
加强上弯针线张力（紫色）或减弱下弯针线张力（红色）（A）。
- 下弯针线出现在面料的正面：
减弱上弯针线张力（紫色）或加强下弯针线张力（红色）（B）。
- 右针线在面料反面呈线环状：
加强右针线张力绿色（C）。
- 左针线在面料反面呈线环状：
加强左针线张力黄色（D）。
- 在缝迹中面料被卷起：
同时减弱上弯针线（紫色）和下弯针线（红色）（E）。
- 面料起皱：
同时减弱右针线（绿色）和左针线（黄色）（F）。



Sewing in tape

The standard presser foot is equipped with a tape guide. A tape can be sewn into the shoulder or side seams of garments made from knits or stretch fabrics to prevent stretching.

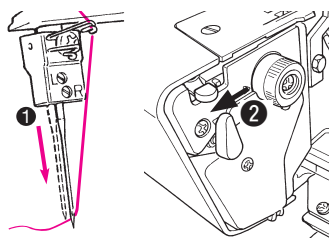
- Turn handwheel towards you until needles are fully raised. Match the matching up marks on handwheel and side cover.
- Raise the presser foot.
- Lay the tape under the presser foot and slide it carefully into the tape slot.
- Lower the presser foot.
- Sew a few stitches on the tape.
- Loosen the setscrew (A) and adjust the tape guide to suit the width of the tape (B).
- Re-tighten setscrew.
- Raise the tip of the presser foot and place work underneath. Sew.

滚条导轨的使用方法

本机标准的压脚内带有滚条用带导轨压脚。在缝制针织等具有伸缩性的面料的肩缝及腋下侧缝时，可有效防止面料的伸缩。

- 朝自己转动手轮，将机针抬升至最高处。
- 抬升压脚。
- 将滚条放入压脚的滚条槽一侧，从右侧进入。
- 放下压脚。
- 用手旋转手轮，在滚条上缝制数针。
- 松开导轨调节螺丝（A），使滚条导轨与滚条的宽幅贴合（B）。
- 再拧紧螺丝。
- 将缝好的面料放置在压脚的放下，然后进行缝制。

Practical Sewing - Overlock / 实用的缝制 - 包缝

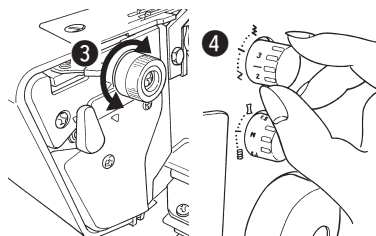


Carrying out hemming and narrow overlocking

The sewing machine incorporates the hemming device to enable roll hemming and narrow overlocking. The sewing machine is able to overlock the material edges such as bottoms and sleeve cuffs beautifully while automatically folding them inwardly.

Preparation for hemming

1. Install the right needle only.
2. Pull the overlocking width changeover knob toward you to lower the overlocking claw.
3. Set the lower knife adjusting knob at the scale mark "1 to 1.5".
4. When using filament thread or woolly nylon thread, set the stitch length adjustment dial (stitch length) at "1 to 1.5".



Roll hemming (A)

The roll hemming is the stitch system that laps the material edge with the upper looper thread.

Narrow overlocking (B)

The narrow overlocking is the overlock stitch system overlocking width of which is narrower than the standard one.

进行卷边缝和窄边包缝

本机内置有卷边缝装置，因此可进行全卷边缝迹窄边包缝。可将下摆、袖口等布边自动卷入，同时形成优美的缝迹。

卷边缝的准备

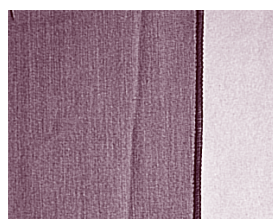
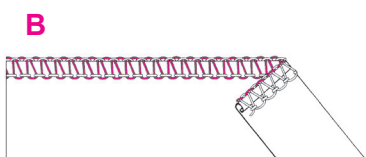
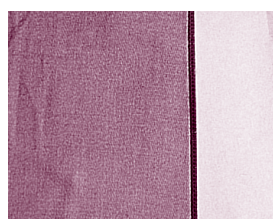
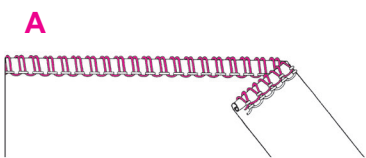
1. 安装右针。
2. 将包边宽度切换旋钮朝自己拉，下降包边爪。
3. 将下切刀调节旋钮的刻度对准“1~1.5”。
4. 使用长丝或羊毛尼龙线时，将送布调节旋钮（缝迹长度）调整至“1-1.5”。

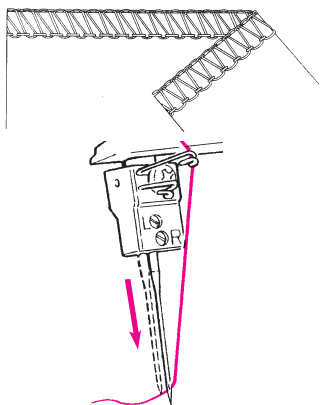
全卷边缝 (A)

全卷边缝是由上弯针线在布边形成包边缝迹。

窄边包缝 (B)

窄边包缝是比普通的包边缝宽度更为细窄的缝迹。





Wrapped overlocking with three threads For wrapped overlocking with the right needle (3 to 7 mm in width)

1. Remove the left needle.
2. Thread the upper and lower loopers in the same manner as the standard sewing (2-needle, 4-thread).

For wrapped overlocking with the left needle (5 to 9 mm in width)

1. Remove the right needle.
2. Thread the upper and lower loopers in the same manner as the standard sewing (2-needle, 4-thread).

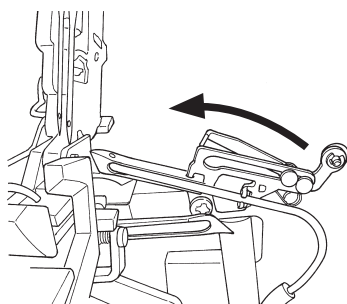
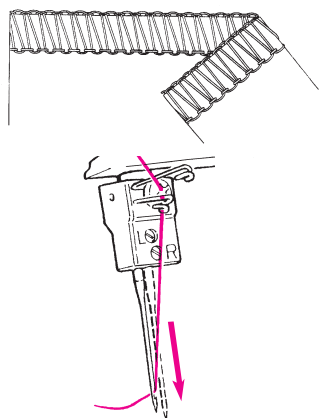
三线包边缝

右针包边 (3 ~ 7mm 宽)

1. 拆下左针。
2. 上弯针线, 下弯针线的穿线和标准缝制 (双针 4 线) 穿线一样。

左针包边 (5 ~ 9mm 宽)

1. 拆下右针。
2. 上弯针线, 下弯针线的穿线和标准缝制 (双针 4 线) 穿线一样。

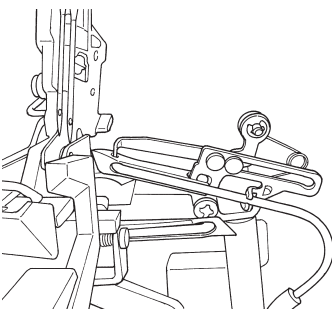


2-/3-thread changeover attachment

Use the 2-/3-thread changeover attachment when it is desired to carry out 2-needle overlocking, cover stitch (flatlock) or 2-thread hemming.

1. Turn off the power switch.
2. Press the 2-/3-thread changeover attachment mounted on the upper looper to the left.
3. Check that the projection of the 2-/3-thread changeover attachment is inserted into the hole in the top end of the looper.

In the aforementioned state, the upper looper thread is not fed. However, the lower looper thread is fed to form 2-thread stitches.

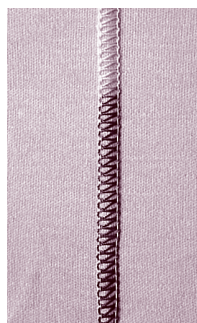


2 /3 线转换器

想使用 2 根线包边缝或是装饰缝, 2 根线卷边缝时, 可使用该 2/3 线转换器。

1. 关闭电源开关。
2. 将安装在上弯针上的 2/3 线转换器向左按。
3. 请确认 2/3 线转换器的突起部是否插入到弯针孔内。

在上述的状态下, 虽然上弯针线不出线, 但下弯针线穿线, 即可形成 2 根线的缝迹。

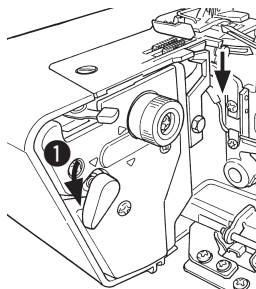


Cover stitch with three threads (flatlock)

1. Deactivate the upper knife.
2. Use a decorative thread as the upper looper thread. (Filament thread is best-suited as the needle thread and the lower looper thread. However, spun thread can also be used.)
3. Adjust the tension regulating dial and stitch length adjustment dial.
Adjust the dials so that the thread tension is slightly reduced.

Scale mark of tension regulating dial	Thread tension of left or right needle	1-3
	Thread tension of upper looper	1-5
	Thread tension of lower looper	5-7
Stitch length adjustment dial		2-2.5

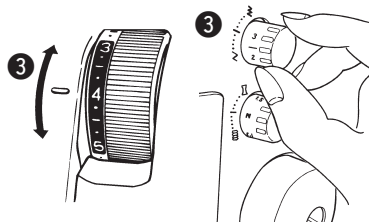
4. Use either the left needle or the right needle only.
In the case of the left needle: Wide cover stitches are sewn. (5 to 9 mm)
In the case of the right needle: Narrow cover stitches are sewn. (3 to 7 mm)
5. Fold the material in two. Carry out sewing with a preset overlocking width.
6. After the completion of sewing, unfold the material.



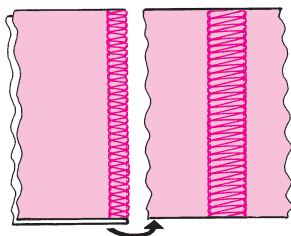
3线装饰缝（开口缝）

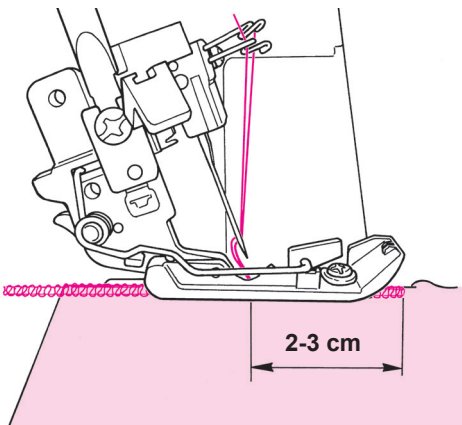
1. 解除上切刀。
2. 将上弯针线装上装饰线。（虽然针线或是下弯针线最适合长丝线，但是斯潘线也可以。）
3. 将夹线调节盘和送布调节旋钮相对准。调整刻度盘，略微下降线张力。

“张力调节盘”“刻度标记”	左针或右针夹线张力	1-3
	上弯针线张力	1-5
	下弯针线张力	5-7
针距调节刻度盘		2-2.5



4. 使用左或右针。
可用于宽幅的装饰缝。（5 ~ 9mm）
可用于窄幅的装饰缝。（3 ~ 7mm）
5. 将面料一折二，按一定的幅度进行缝制。
6. 完成缝制后，展开面料。





Thread breakage during sewing

Sew off immediately at an angle and remove the work. Re-thread. If the upper or lower looper thread breaks during sewing, re-threading is necessary. Remove both the broken and unbroken looper threads. Then, set the threading lever to the threading side to carry out threading of the upper and lower loopers. First thread the looper and then the needles. Start sewing again about 2 - 3 cm in front of the break.

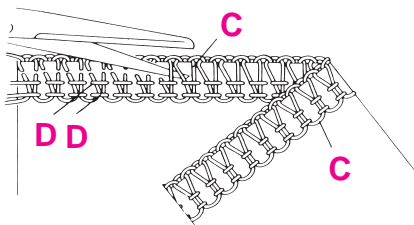
在缝制途中断线时

首先立刻中止缝制，将面料取出。

将断掉的线重新穿一下。

在缝制中无论上下弯针哪个发生断线，如果再次穿线的话，将未断线的那个弯针上的线也取下来之后，再用穿线扳手重新将上下弯针进行穿线。

然后抬升压脚，将面料再次放入缝制。并且在上次缝制结束的地方再重叠缝制 2 ~ 3cm。



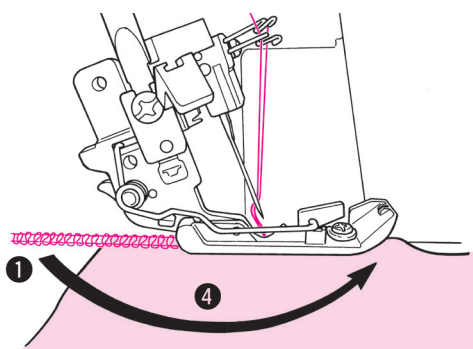
Unpicking seams

Using sharp scissors, cut the loops (C).

Pull the needle thread (D) and the stitches will come undone.

拆除线迹的方法

用拆线器可将线环剪切掉。(C)
拉住机针线(D)即可将线迹拆除。



Securing thread ends at the beginning and end of sewing

Overlock stitches can unravel if the threads are not secured at the beginning and end of sewing. Secure the thread ends.

Securing thread ends with the overlock machine

1) Securing thread ends at the beginning of sewing

1. Pull out chain-off thread produced at the beginning of sewing by 3 to 4 cm.
 2. Sew the material by two or three stitches.
 3. Lower the needle and raise the presser foot.
 4. Stretch the chain-off thread to put it between the presser foot and the material from the left side.
 5. Lower the presser foot and sew the chain-off thread on the material.
- * If you do not sew the chain-off thread on the material, produce a longer chain-off thread at the beginning and end of sewing. Then, make a knot of the chain-off thread or put the chain-off thread under the seam with a wool needle.
 - * When stitches cross each other, chain-off thread is automatically secured.

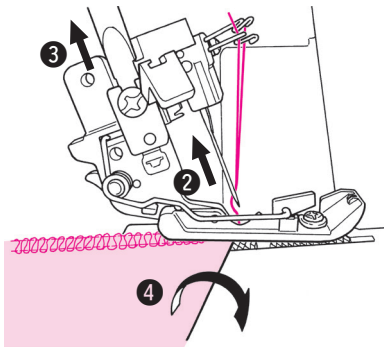
缝制开始与结束时的线头加固

由于包缝机的特殊性，在缝制开始与结束时如果线头不加以固定的话会较易松开，因此请务必加固线头。

包缝机使用的开始与结束

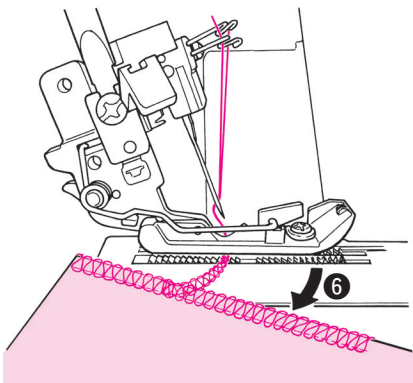
1) 开始缝制时的线头加固

1. 在开始缝制前先缝制出 3 ~ 4cm 的空环。
 2. 在面料上先缝制 2 ~ 3 针。
 3. 下降机针，抬升压脚。
 4. 延伸空环，从压脚和面料间的左侧进入。
 5. 放下压脚，从空环的上面开始缝制。
- * 如果不从空环上进行缝制的话，则在启缝与缝制结束时要加长空环。然后用空环打结或是将空环用缝合针放入到线迹中去。
 - * 当缝迹相互交叉时，空环则自动被加固。



2) Securing thread ends at the end of sewing

1. Stop the needle at the end of material.
2. Lift the needle.
3. Raise the presser foot.
4. Turn the material upside down. Lower the needle so that it enters the outside edge of finished seam.
5. Lower the presser foot.
6. Carry out sewing to produce chain-off thread by 2 to 3 cm taking care not to allow the finished seam to come in contact with the upper knife. Remove the material.
7. Secure the chain-off thread.

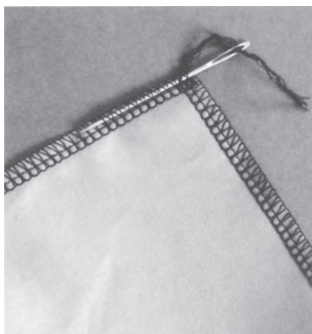


2) 缝制结束时线头的加固

1. 在布边的停缝处停针。
2. 抬起机针。
3. 抬起压脚。
4. 把布料颠倒，对准包边宽幅放下机针。
5. 放下压脚。
6. 然后在已缝完的地方在不碰到上刀的基础上再缝制 2 ~ 3cm，取下布料。
7. 最后缝制一些空环出来。

Practical Sewing - Overlock / 实用的缝制 – 包缝

A



In the case of securing thread ends with a wool needle: (A)

Leave a 2 to 3 cm long chain-off thread at the beginning and end of sewing. Put the chain-off threads in the finished seam by means of a wool needle.

In the case of securing thread ends with glue for handicraft: (B)

Apply a little amount of glue for handicraft at the root of chain-off thread on the material. Cut out the excess of chain-off thread after the glue has dried.

Securing thread ends by making a knot: (C)

Bind all threads together and make a knot at the nearest position of the material. Then, cut out the excess of the threads.

通过缝合针加固线头的方法：(A)

在缝制开始及结束的地方预留 2~3cm 的空环，然后用缝合针将其放入到线迹中去。

手工粘合的方法：(B)

在需要粘合的面料的空环处，用少量胶水粘合后，再将多余的空环剪切掉。

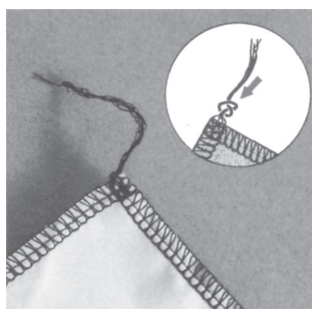
通过打结固定的方法：(C)

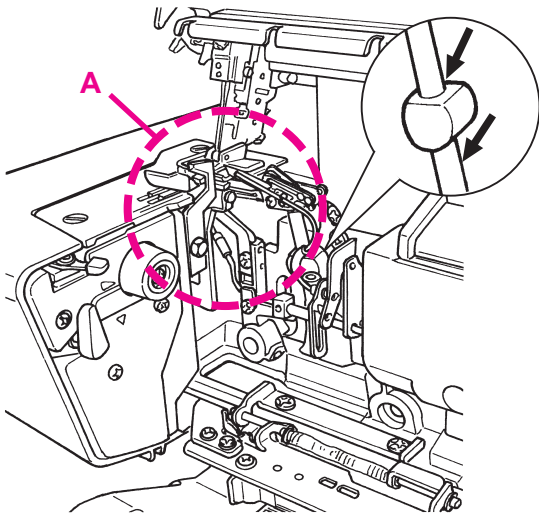
将所有的线拧成 1 股打结，将结头越靠近面料越好。然后，将多余的线头剪切掉。

B



C





Precautions to be taken when handling oil

- * In the event the oil gets in the eye or adheres on skin, immediately wash it off in order to prevent irritation and rash.
- * If swallowed accidentally, immediately seek for medical advice in order to prevent diarrhea and vomiting.
- * Keep the oil away from children.
- * Oil disposal is obliged by legislation. Dispose of the oil properly in compliance with the relevant legislation.

处理机油时应采取的预防措施

- * 当机油进入眼睛或附着在皮肤上时，请立即清洗掉，以防止刺激皮肤和引发皮疹。
- * 如果意外吞咽，请立即寻求医疗建议，以防止腹泻和呕吐。
- * 让机油远离孩童。
- * 废弃的机油处理必须按照当地立法适用的规定进行处理。

Cleaning and lubricating

! Turn off the power switch and disconnect the power plug from the wall outlet before starting cleaning or lubricating the machine.

As you use the sewing machine, lint is likely to accumulate in the sewing machine. It is necessary to remove the lint periodically. Since lint accumulates particularly in the sections around the throat plate and lower knife, remove the lint from those sections on a periodical basis. (A)

When cleaning the pipes of the upper and lower loopers, use the "looper threader" supplied in the accessory bag. (Refer to page 36 for how to use it.)

The sewing machine uses special materials for important parts. Apply one or two drops of machine oil to the sections illustrated.

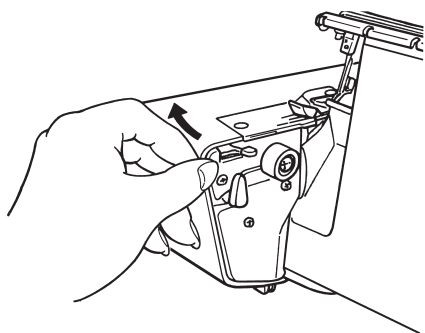
清洁和润滑

! 注意：在清洁，或是加油润滑时请务必关闭电源开关，将电源插座拔下切断电源。

当您在使用机器时，由于会积有一定的棉絮等垃圾灰尘，因此请务必定期进行清洁。

由于在针板及下刀的周边较易积攒灰尘垃圾，因此请定期进行清洁。(A) 在清洁上下切刀的管道时，请使用附属的【弯针穿线工具】。(使用方法请参阅第 36 页。)

虽然本机在重要部位采用了特殊材料，但在如图所示的箭头部位还请加入 1 ~ 2 滴机油。



To carry out cleaning with the cloth plate opened

! Be sure to turn off the power switch before opening the cloth plate.

- **How to open the cloth plate**
Push this side of the cloth plate to the left to open it.
- **How to close the cloth plate**
Push the cloth plate toward the sewing machine.

打开布台进行清扫时

! 在打开布台时，请务必关闭电源。

- **如何打开布台**
将布台的前端朝左侧推送打开。
- **如何关闭布台**
将布台往机头方向推送即可。

Replacing the knife

It is not normally necessary to replace the lower knife since it is made of special ultrahard material. If the knife blade tip has chipped, replace the knife with a new one. Contact your distributor for the replacement of the lower and upper knives.

切刀的更换

通常是不需要更换下刀的，因为它是由特殊的超硬材料制作的。如果刀片尖端有缺口的话，请更换一把新的切刀。下刀和上刀的更换请与当地的经销商联系。

Trouble shooting guide

Problem	Cause	Solution	Page
The machine does not sew:	<ul style="list-style-type: none"> • Looper or cloth plate cover is open. • The main switch is not on. • The machine is not plugged in. 	<ul style="list-style-type: none"> • Close the looper or the cloth plate cover. • Switch machine on. (Main switch to "I") • Insert plug into main socket. 	13 13 11
Fabric does not feed evenly	<ul style="list-style-type: none"> • Differential feed is wrongly adjusted. • Presser foot pressure is too low. 	<ul style="list-style-type: none"> • Check the differential feed setting. • Adjust the presser foot pressure. 	24 28
Thread breaks	<ul style="list-style-type: none"> • Thread tension is too tight for the thread being used. • The machine is not threaded correctly. • Needles are incorrectly inserted. • Wrong needles. 	<ul style="list-style-type: none"> • Reduce thread tension. • Check the threading. • Insert needles fully into needle clamp with flat side to the back. • Use needle system 130/705H or JLx2. 	39 32 18 18
Needles break	<ul style="list-style-type: none"> • Needles are bent or blunt, points are damaged. • Needles are not inserted correctly. • Fabric was pulled while sewing. 	<ul style="list-style-type: none"> • Replace needles. • Insert needles fully into needle clamp with flat side to the back. • Guide fabric gently with both hands. 	19 18 --
Skipped stitches	<ul style="list-style-type: none"> • Needles are bent or blunt. • Wrong needles used. • Presser foot pressure is too low. 	<ul style="list-style-type: none"> • Replace the needles. • Use needle system 130/705H or JLx2. • Increase presser foot pressure. 	18 18 28
Poor stitch formation	<ul style="list-style-type: none"> • Threads are not correctly between the tension dials. • Thread has got caught. • Machine is incorrectly threaded. 	<ul style="list-style-type: none"> • Check if thread is lying between tension discs. • Raise the presser foot and pull the thread. • Check threading path of each thread. • Check threading path of each thread. 	29 29 32 32
Seams flute or wave, especially when sewing knits	<ul style="list-style-type: none"> • Fabric was pulled while sewing. • Presser foot pressure is too tight. • Differential feed is set incorrectly. 	<ul style="list-style-type: none"> • Guide fabric gently. • Reduce presser foot pressure. • Adjust differential feed to N - 2. 	-- 28 24, 25
Seams pucker	<ul style="list-style-type: none"> • Needle thread tension is too tight. • Differential feed is set incorrectly. 	<ul style="list-style-type: none"> • Reduce the needle thread tension. • Adjust differential feed to 0.7 - N. 	39 24, 25
Fabric edges curl	<ul style="list-style-type: none"> • Too much fabric is in the stitch. • Thread tension is too tight. • Stitch selection lever is on roll hem. 	<ul style="list-style-type: none"> • Reduce cutting width. • Reduce thread tension. • Set selection lever to overlock. 	23 39 27
Thread loops are too loose	<ul style="list-style-type: none"> • Too little fabric in the stitch. 	<ul style="list-style-type: none"> • Increase the cutting width. 	23
Motor failure	<ul style="list-style-type: none"> • Noise is heard. • Motor does not turn at all. • Sparks are abnormally large. 	<ul style="list-style-type: none"> • Replace the carbon brush with a new one. <p>(Note) Contact your distributor to ask for the replacement of the carbon brush.</p>	--
Needle eyelet cannot be threaded	<ul style="list-style-type: none"> • The "■" marking on the side of the front cover is not aligned with the "□" marking on the handwheel. 	<ul style="list-style-type: none"> • Turn the handwheel to align the "□" marking on it with the "■" marking on the side of the front cover. 	34, 35
Upper and lower loopers cannot be threaded	<ul style="list-style-type: none"> • When the handwheel is not fixed. • When the thread is not inserted into the bottom of the threading hole. • When the thread is not slacked before the threading hole. • When the thread is caught somewhere in the thread path. • When the pipe is clogged with lint. 	<ul style="list-style-type: none"> • Raise the threading changeover lever and turn the handwheel to fix it. • Insert the thread into the threading hole by 1 to 2 cm. • Slack the thread before the threading hole. • Remove the thread from the location where it has been caught. • Thread the loopers by means of the looper threader supplied in the accessory bag to remove the lint in the pipe. 	32, 33 32, 33 32, 33 -- 36

故障排除指南

现象	原因	解决办法	页数
机器不运转	<ul style="list-style-type: none"> 弯针或是前盖板打开中。 主开关未打开。 机器插头没有插好。 	<ul style="list-style-type: none"> 关闭弯针或是前盖板。 打开主开关。(主开关放到“1”) 将插头插入插座内。 	13 13 11
面料输送不均匀	<ul style="list-style-type: none"> 差动送布调整出错。 压脚压力太低。 	<ul style="list-style-type: none"> 检查差动送布。 调整压脚压力。 	24 28
断线	<ul style="list-style-type: none"> 线张力过紧。 穿线方法错误。 机针安装方法不正确。 机针型号错误。 	<ul style="list-style-type: none"> 降低线张力。 重新穿线。 正确安装机针。 用型号是 130 / 705h 或 JLx2 的机针。 	39 32 18 18
断针	<ul style="list-style-type: none"> 机针弯曲或针尖有磨损。 机针安装方法不正确。 面料被非正常拉伸。 	<ul style="list-style-type: none"> 更换机针。 正确安装机针。 缝制时用手调整面料即可。 	19 18 —
跳针	<ul style="list-style-type: none"> 针弯曲或针尖磨损。 使用型号不对的机针。 压脚压力太低。 	<ul style="list-style-type: none"> 更换机针。 使用型号是 130 / 705h 或 JLx2 的机针。 增加压脚压力。 	18 18 28
发生起皱	<ul style="list-style-type: none"> 针线张力过强。 线被勾住了。 穿线方法错误。 	<ul style="list-style-type: none"> 检查夹线器。 抬起压脚，松线。 检查穿线路径。 检查穿线路径。 	29 29 32 32
缝制高低段，特别是缝制针织面料时	<ul style="list-style-type: none"> 面料在缝制时被过度拉伸。 压脚压力太紧张。 差动送布设置不正确。 	<ul style="list-style-type: none"> 轻轻拉伸面料。 降低压脚压力。 调整差动送布至 N - 2。 	— 28 24, 25
接缝起皱	<ul style="list-style-type: none"> 面线张力过紧。 差动送布设置不正确。 	<ul style="list-style-type: none"> 降低面线张力。 调整差动送布为 0.7-N。 	39 24, 25
面料卷边	<ul style="list-style-type: none"> 太多的面料缝合在一起。 线张力太紧。 缝迹为全卷边。 	<ul style="list-style-type: none"> 减少剪切宽度。 降低线张力。 设置缝迹为包边。 	23 39 27
线环太松	<ul style="list-style-type: none"> 缝合再一起的面料过于稀少。 	<ul style="list-style-type: none"> 提高剪切宽度。 	23
马达故障	<ul style="list-style-type: none"> 有噪音。 马达不运转。 火花异常大。 	<ul style="list-style-type: none"> 更换新马达。 (注) 马达的更换请与你的经销商联系。	—
缝线无法穿过针孔	<ul style="list-style-type: none"> 前盖板侧面的“■”标记与手轮的“□”标记发生错位。 	<ul style="list-style-type: none"> 转动手轮使“□”标记与前盖板侧面的“■”标记对齐。 	34, 35
缝线无法穿过上、下弯针	<ul style="list-style-type: none"> 手轮未被固定。 缝线未被穿到线孔最底部。 缝线未被放松到线孔前。 线被勾在了什么地方。 管道内积有灰尘。 	<ul style="list-style-type: none"> 抬升穿线切换扳手，旋转手轮并固定住。 将缝线插入穿线孔内 1 ~ 2cm。 放松线至穿线孔前端。 将线从被勾住的地方解下来。 使用附属的弯针穿线工具进行穿线，将管道内的线屑等清除干净。 	32, 33 32, 33 32, 33 — 36

Technical data / 规格表

Technical data

Stitch choice	Over lock	2 needles, 2 loopers: 4 thread overlock with integrated safety seam 1 needle, 2 loopers: 3 thread overlock, flatlock roll hem 1 needle, 1 looper: 2 thread overlock, flatlock roll hem 2 needles, 1 looper: 3 thread super stretch
Needle system		SCHMETZ 130/705 H or JLx2
Seam width		5-7 mm (3/2 thread overlock) 7-9 mm (4 thread overlock / 3/2 thread overlock / 3 thread super stretch)
Stitch length		1-4 mm
Differential feed		No puckering 0.7 - N No waving or fluting in knits N - 2
Presser foot lifter		5 mm
Handwheel		rotates forwards
Sewing speed		Up to 1500 sti/min
Weight		9 kg
Dimensions		330 (W) x 280 (D) x 310 (H) mm
Foot control model No.		YC-482 (USA and Canada only) YC-483N (220-240V)

We reserve the right to make changes in the interest of technical progress.

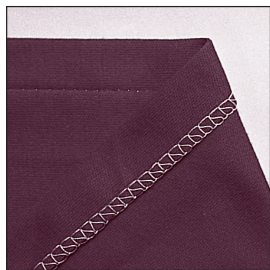
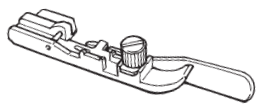
规格表

缝线的选择	包缝	双针，双弯针：4线包缝带密集安全缝 单针，双弯针：3线包缝，卷边缝 单针，单弯针：双线包缝，卷边缝 双针，单弯针：3线弹性缝
机针		蓝狮 130 / 705H 或 JL x 2
缝制宽度		5-7 mm (3 / 2线包缝) 7-9 mm (4线包缝 / 3 / 2线包缝 / 3线弹性)
线迹长度		1-4 mm
差动送布		无起皱 0.7- N 无高低段或长纹针织 N - 2
压脚抬升量		5 mm
手轮		正转
缝纫速度		最高 1500sti/min
重量		9 公斤
尺寸		330 (长) × 280 (宽) × 310 (高) mm
脚控装置		YC-483N (220)

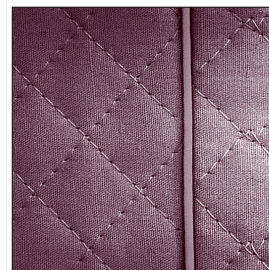
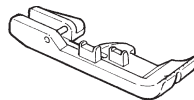
我们保留进一步技术更改的权利。

Optional Accessories / 选购件

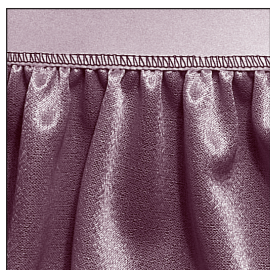
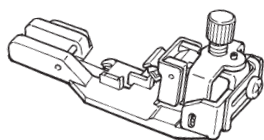
- Blind stitch presser foot
- 暗缝压脚



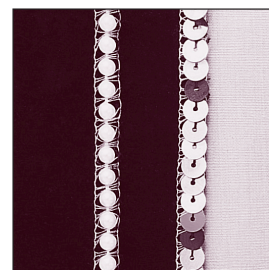
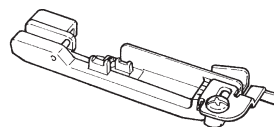
- Piping presser foot
- 滚带压脚



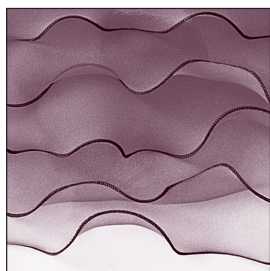
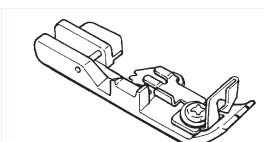
- Elasticator
- 弹簧压脚



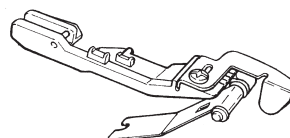
- Beading presser foot
- 珍珠压脚



- Cording presser foot
- 花边压脚



- Gathering presser foot
- 聚裊压脚



Contact your local dealer. / 如需上述附件，请与当地经销商联系。

JUKI®

JUKI CORPORATION

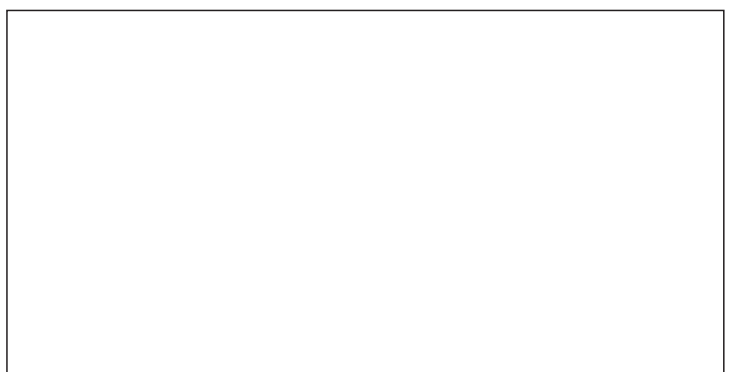
2-11-1, TSURUMAKI, TAMA-SHI,
TOKYO, 206-8551, JAPAN

PHONE : (81)42-357-2341

FAX : (81)42-357-2379

Copyright © 2014 JUKI CORPORATION
All rights reserved throughout the world.

40152372



000414